

AUTOMATIC TRANSFER SWITCHES



Residential Unit Use

A. General description

1. Main function: When the utility power is abnormal, the load will switch to emergency power (generators). While the utility power returns, the load will back to utility power supply.
2. Mechanical Interlock: For protecting two breakers, they will not be switch on in the same time.
3. Reading status easily: LED indicators show status of power source and load.



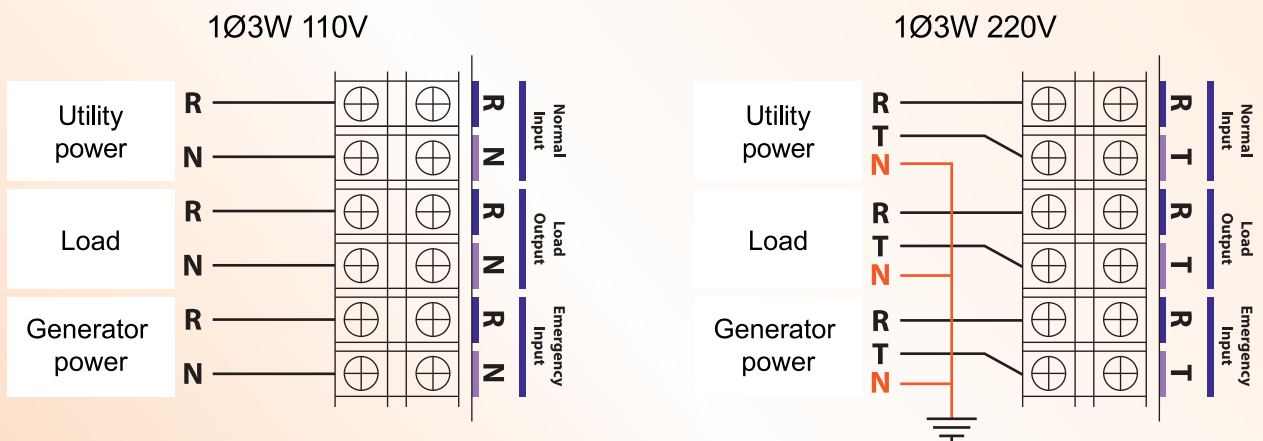
B. Features

1. Double protections
2. Automatic & Manual operation
3. Clear operation status:
 - a. Normal
 - b. Emergency
 - c. Load on
4. Overload and short circuit protection
5. Automatic switch: Normal power ↔ Emergency power

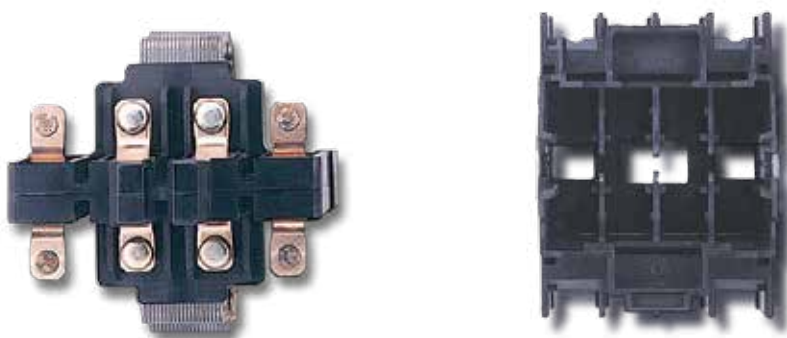
C. Type designation

Type	ATS Protection Switch	Rated current In (A)	Pole	Voltage
BS-MB	Miniature Circuit Breaker	20A	R, N	110V
			R, T	220V

D. ATS wire connection: 1Ø3W 110V-/220V



E. The main contact module diagram:

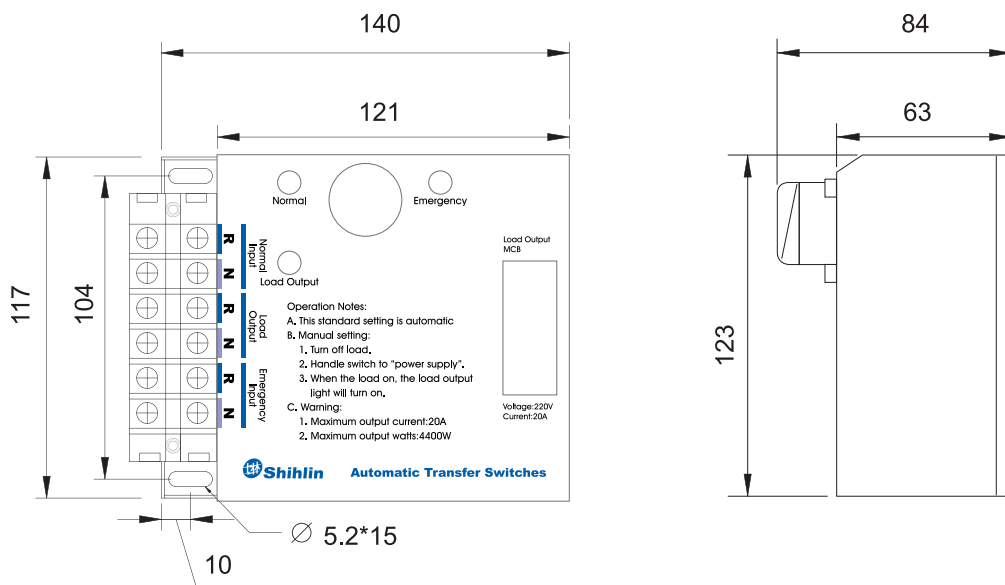


F. Contactor manual operation device diagram:



G. Overall dimensions (mm)

Type: BS-MB



SHIHLIN ELECTRIC & ENGINEERING

MOTOR CONTROL (CONTACTOR/ MS/ MMS), CIRCUIT BREAKER (MCCB/ ELCB/ EMCCB/ MCB), AIR CIRCUIT BREAKER, AUTOMATIC TRANSFER SWITCHES (Panel Board Type/ Residential Unit Use), SURGE PROTECTIVE DEVICE, LOW VOLTAGE POWER CAPACITORS, SMART METER, INVERTER



Breaker & switchgears overseas sales dept.

3F, No.9, Sec. 1, Chang-an E. Rd., Zhongshan Dist., Taipei City 10441, Taiwan

T. +886-2-2541-9822 F. +886-2-2581-2665

e-mail. b.export@seec.com.tw

<http://circuit-breaker.seec.com.tw>

Headquarters

16F, No.88, Sec. 6, Zhongshan N. Rd., Shilin Dist., Taipei City 11155, Taiwan

T. +886-2-2834-2662 F. +886-2-2836-6187

<http://www.seec.com.tw>

Distributor

1305. ats mb-ob-2