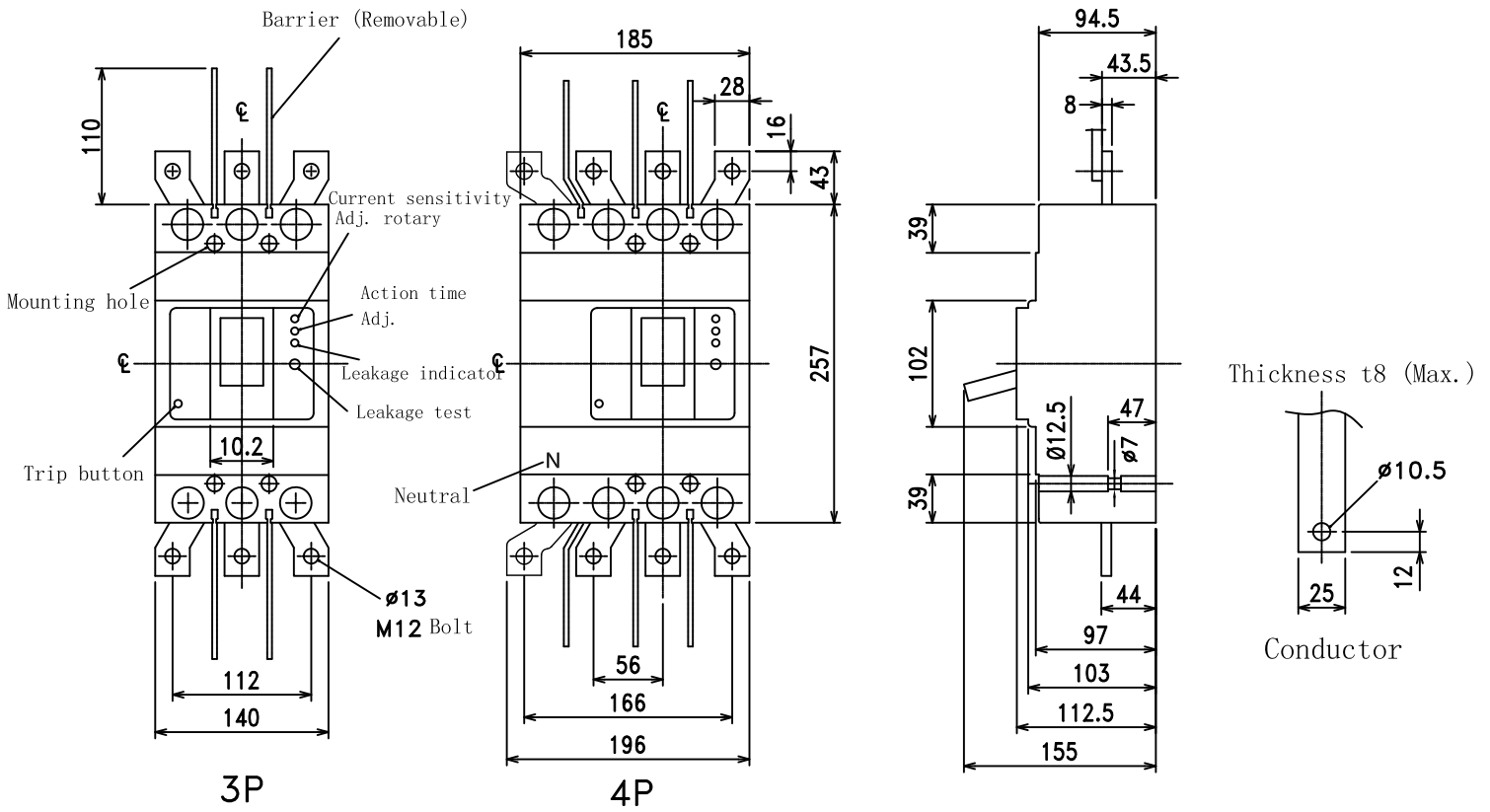
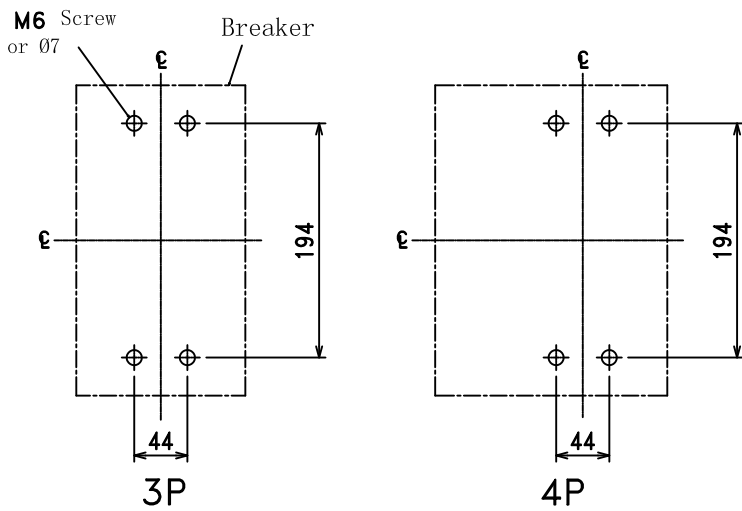


BL400-HN Dimension & Installation



Mounting



Panel cut

