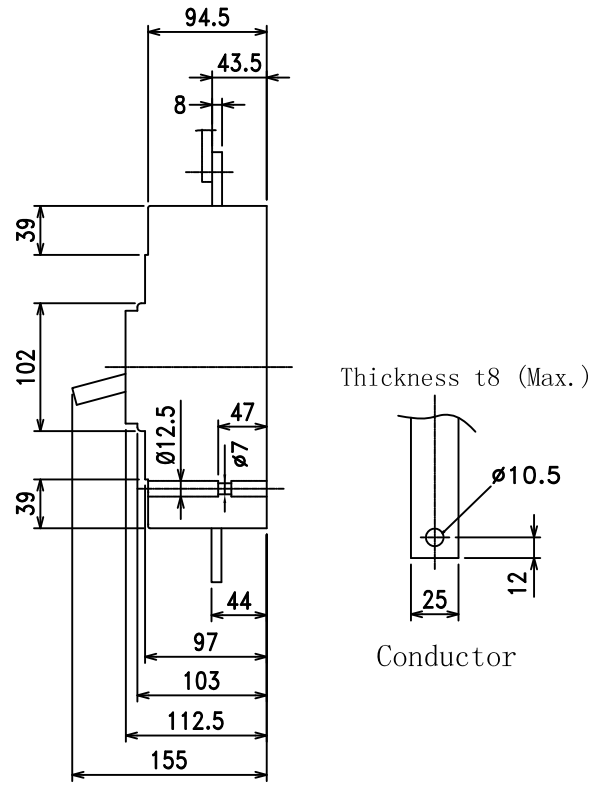
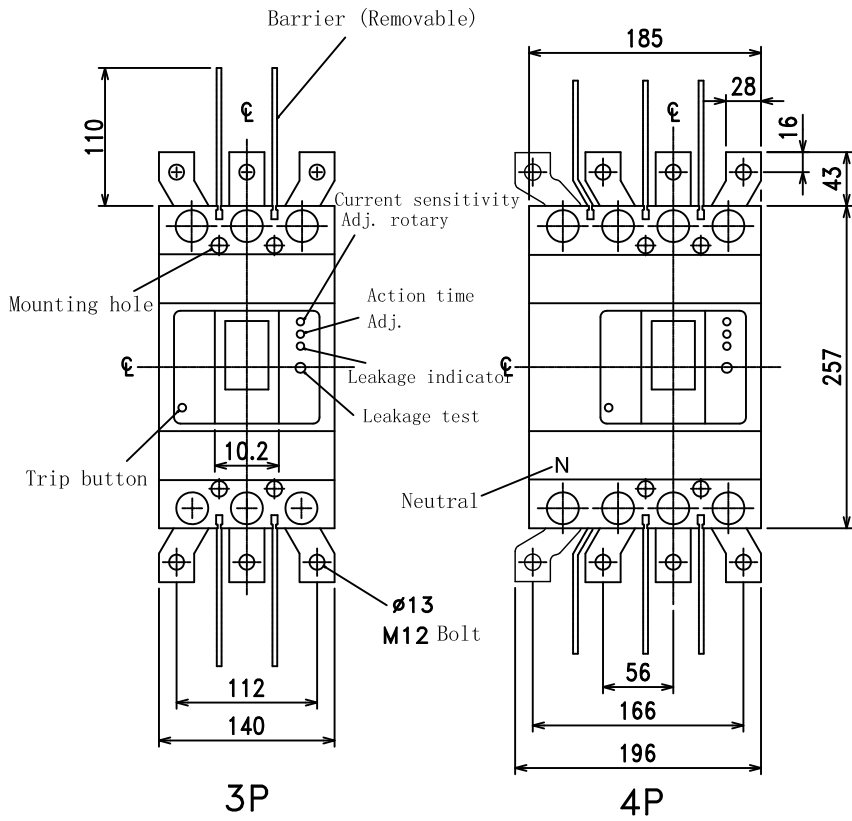


# BL400-UN Dimension & Installation



Mounting

Panel cut

