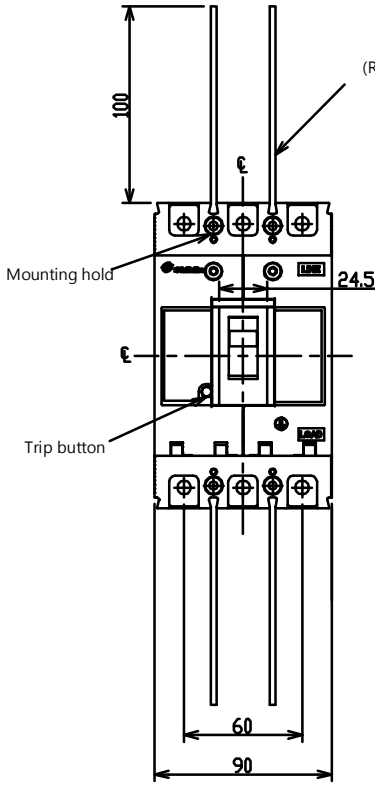
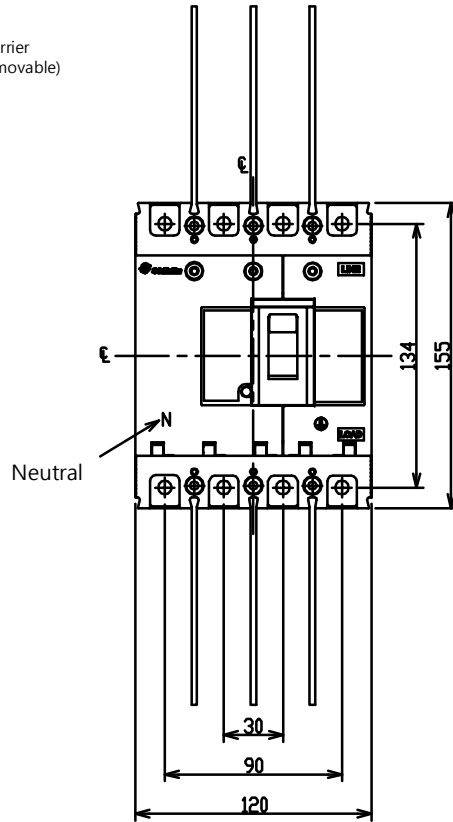


BMA125-HTA 2P 3P 4P Dimension & Installation

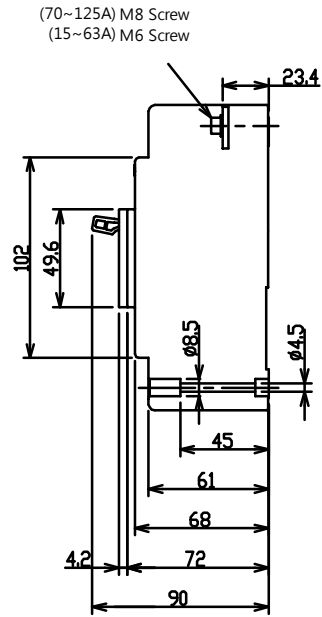
unit: mm



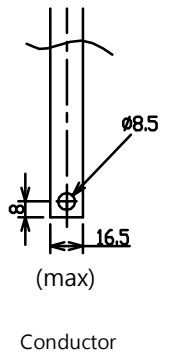
2 · 3P



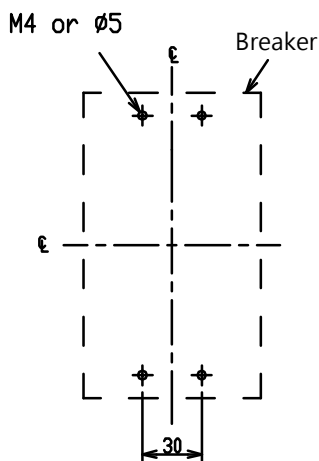
4P



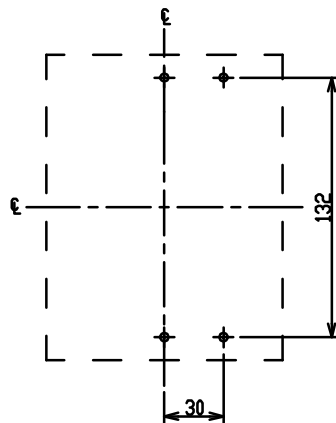
Thickness 5t(max)



Conductor

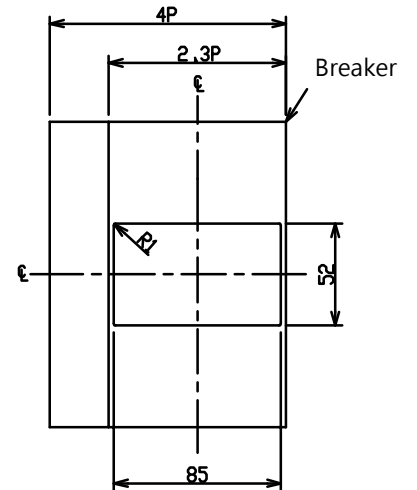


2 · 3P



4P

Mounting



Panel cut