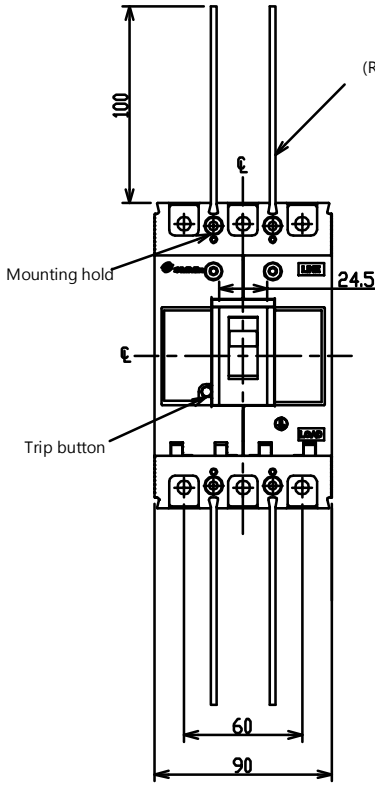
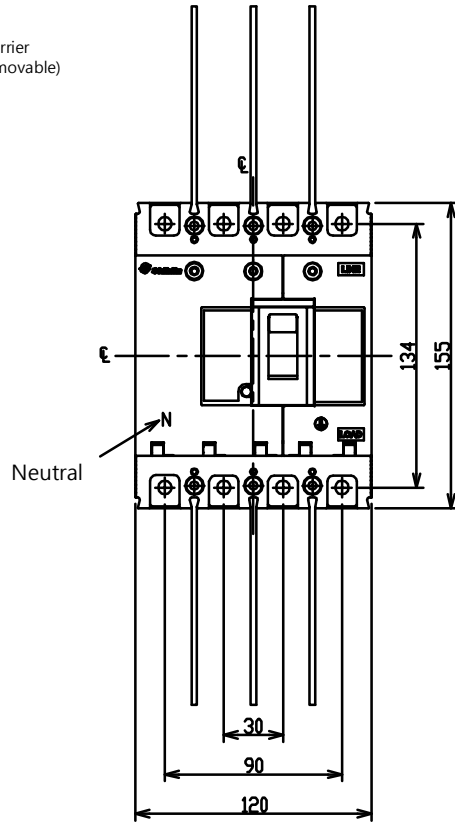


BMA125-STA、LTA 2P 3P 4P Dimension & Installation

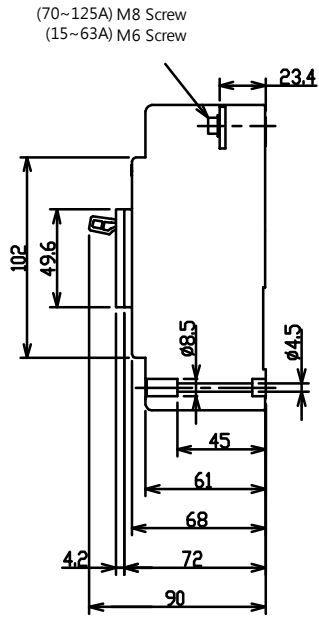
unit: mm



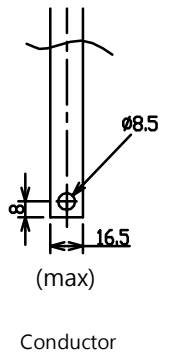
2、3P



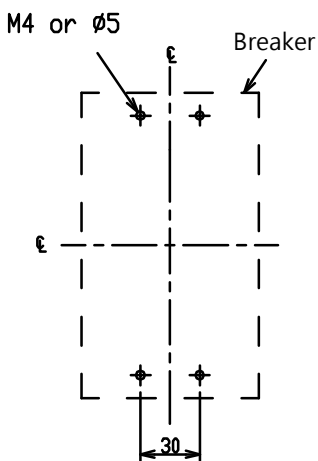
4P



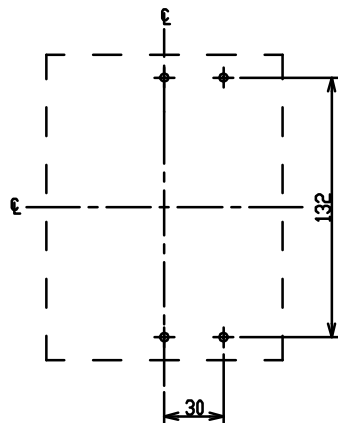
Thickness 5t(max)



Conductor

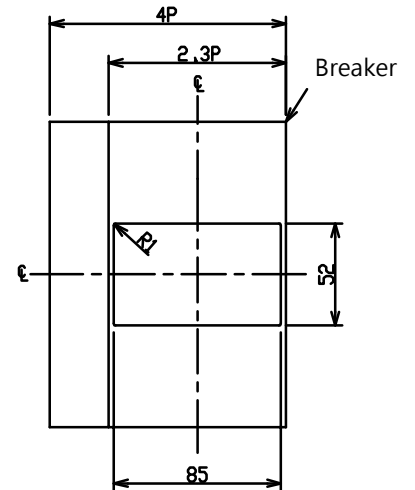


2、3P



4P

Mounting



Panel cut