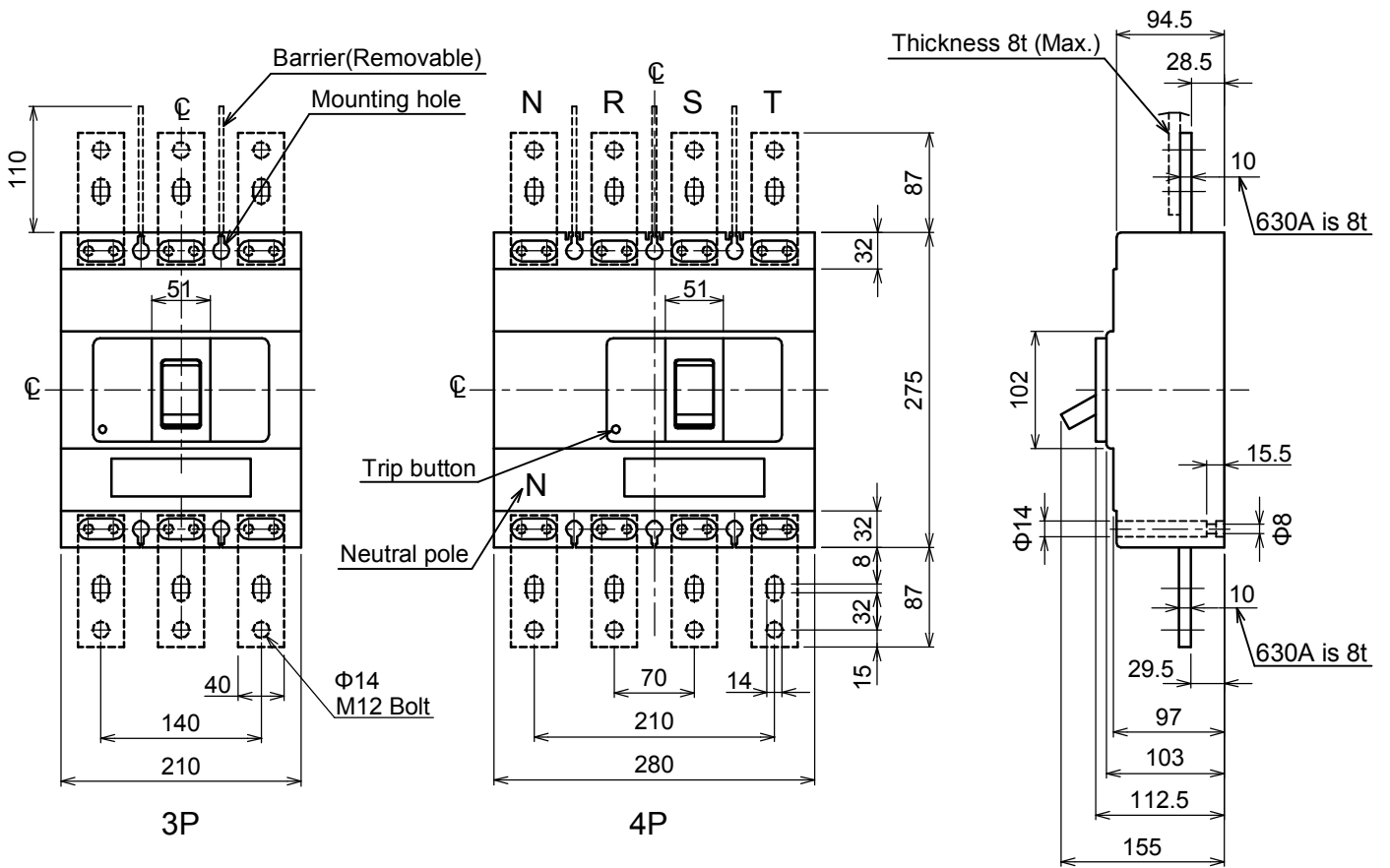
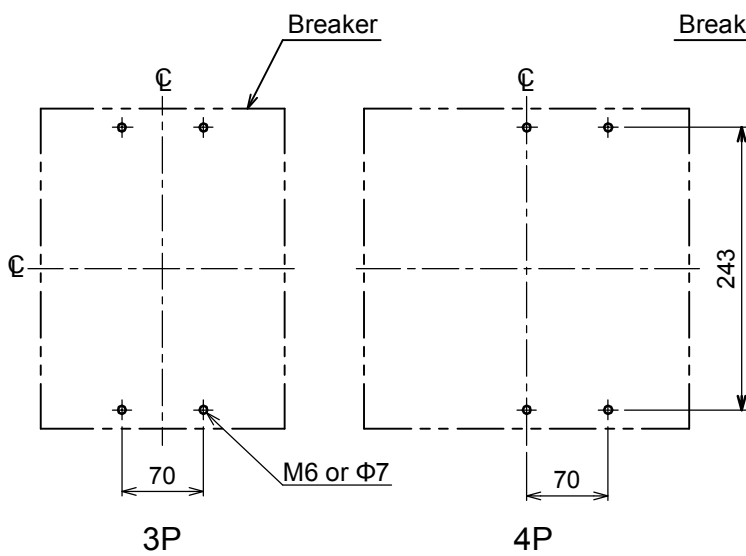


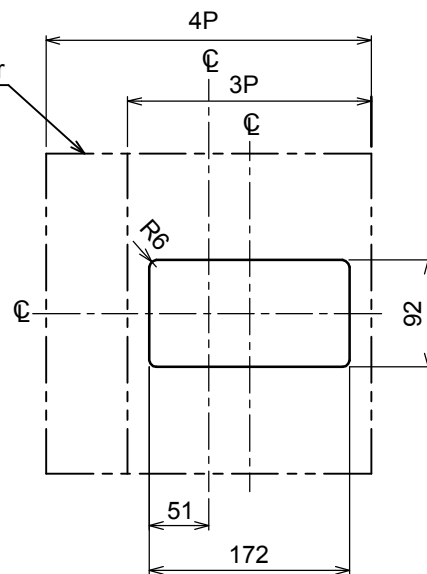
# BMA630/800-RED,HED 3P/4P Dimension & Installation



## Mounting



## Panel cut



## Conductor

