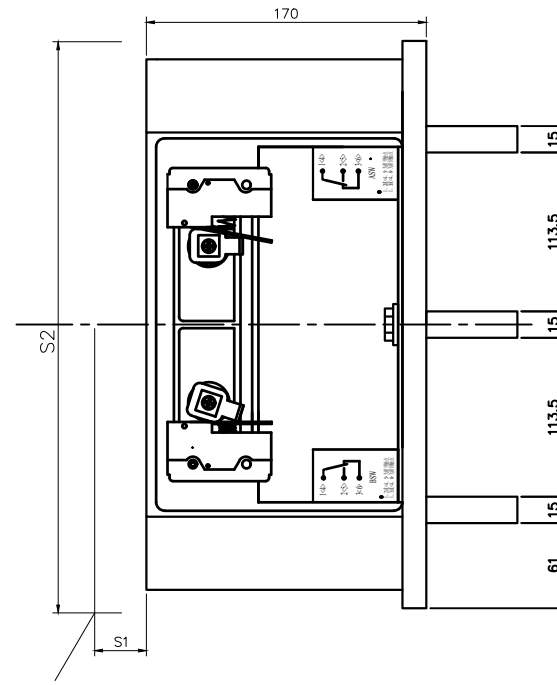
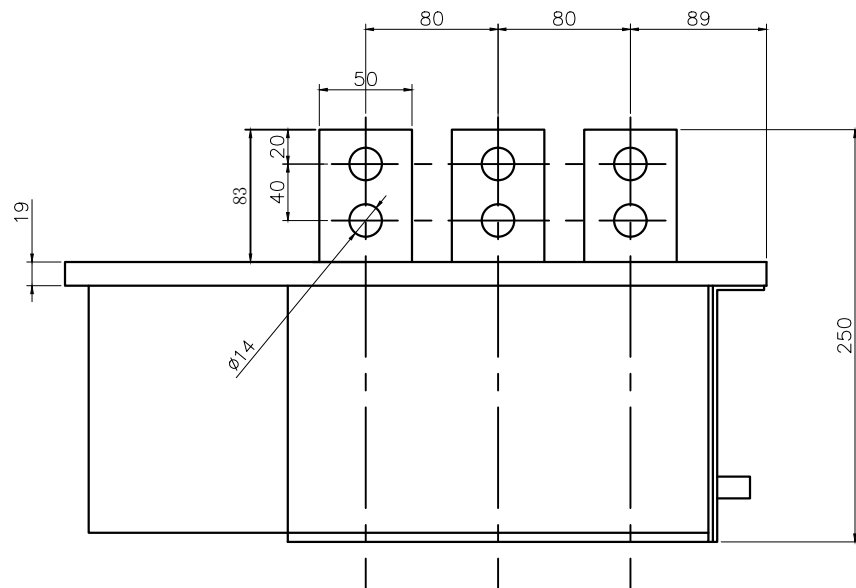
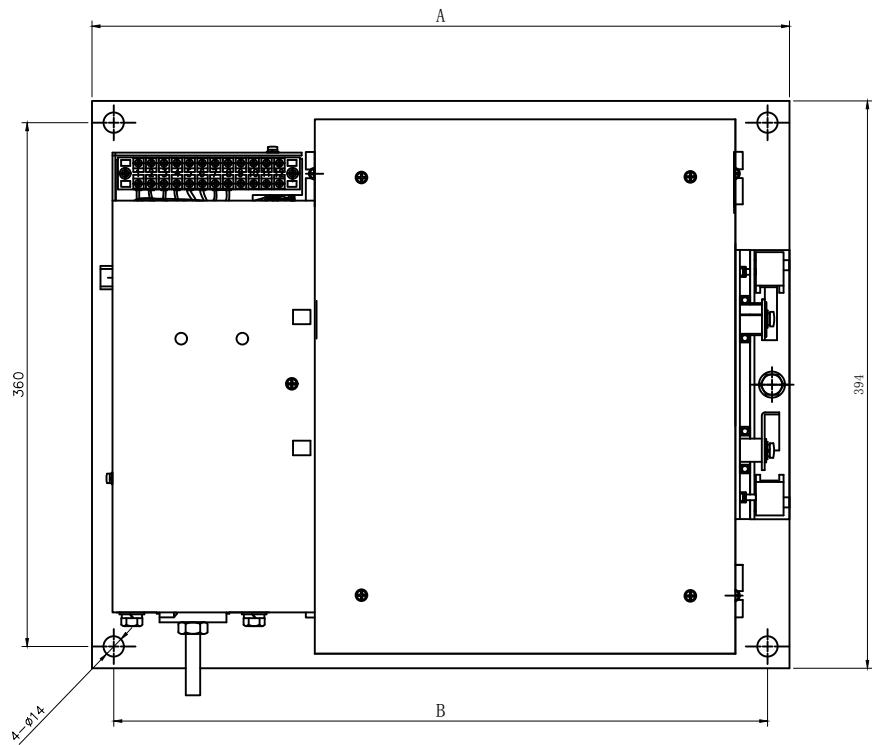


1000-1250A



Safety distance

Unit (mm)	Ue 400V	690V
S1	45	90
S2	430	450

	A	B
3P	454	420
4P	534	500