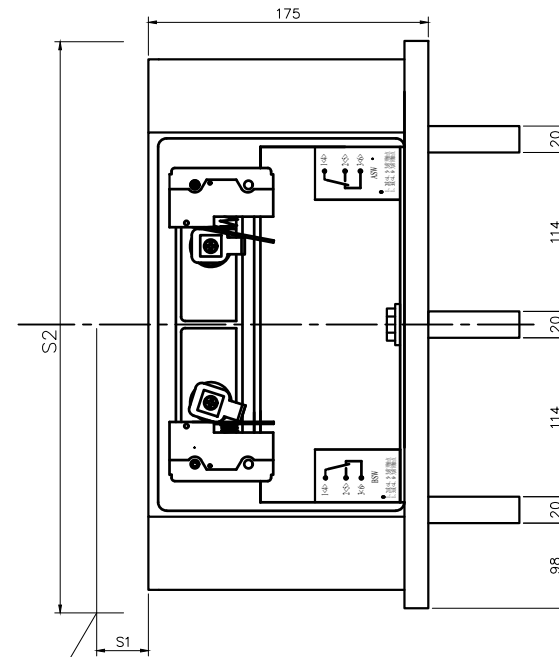
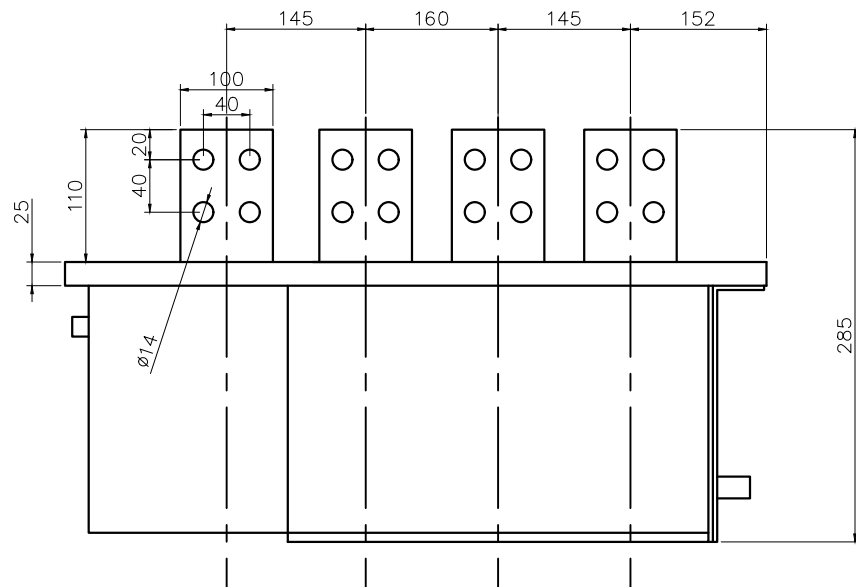
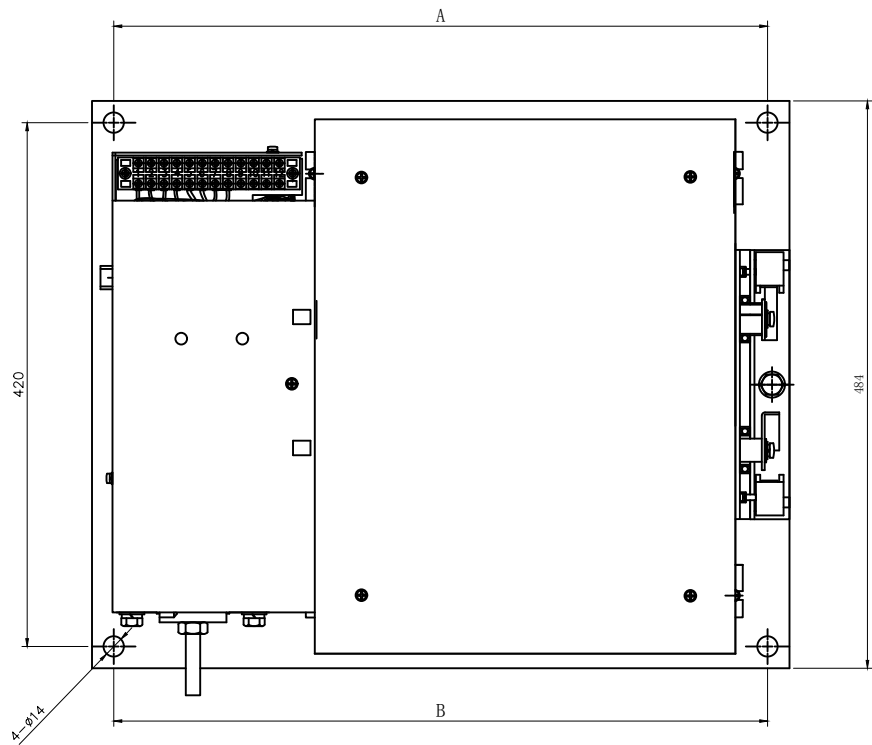


2500A



Safety distance

Ue	400V	690V
S1	50	100
S2	560	600

	A	B
3P	684	595
4P	854	790