

External Handle

Dimension

Type	Model		Dimensions (mm)				
			fig. 1	fig. 3			
	MCCB	ELCB	Pole	A	B	C	D
EH100N	BM30-SN	BL50-SN	3P,4P	105	25	111	M4 screw or $\varnothing 5$
	BM63-CN,SN,HN						
	BM100-CN,SN						
EH125N	BM63-HBN, BM100-HN	BL100-SN,HN	3P,4P	105	30	132	
	BM125-SN,HN						
EH250N	BM160-SN,HN	BL160-SN	2P,3P,4P	105	35	126	
	BM250-SN,HN	BL250-SN					

Overall Dimension

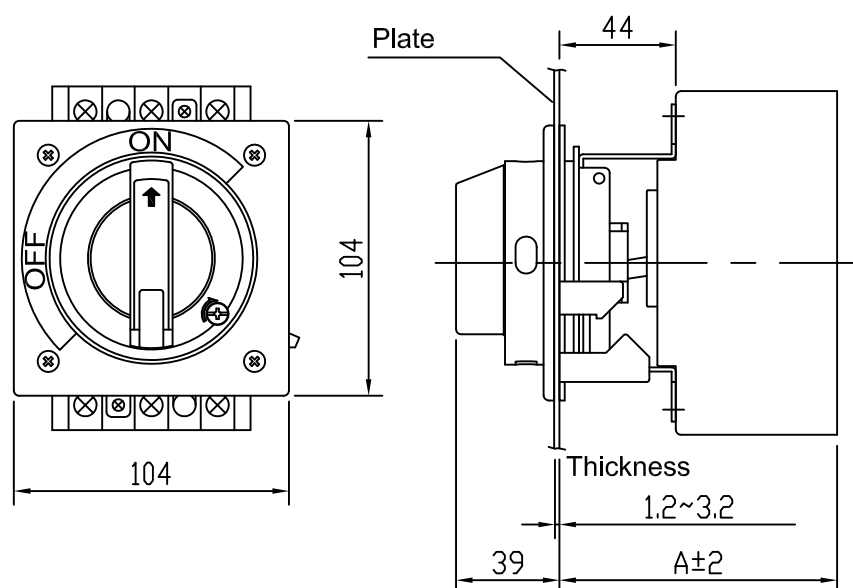


fig.1

Panel Cut

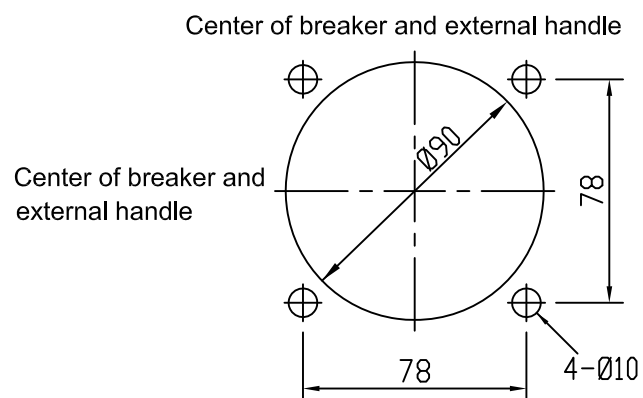


fig.2

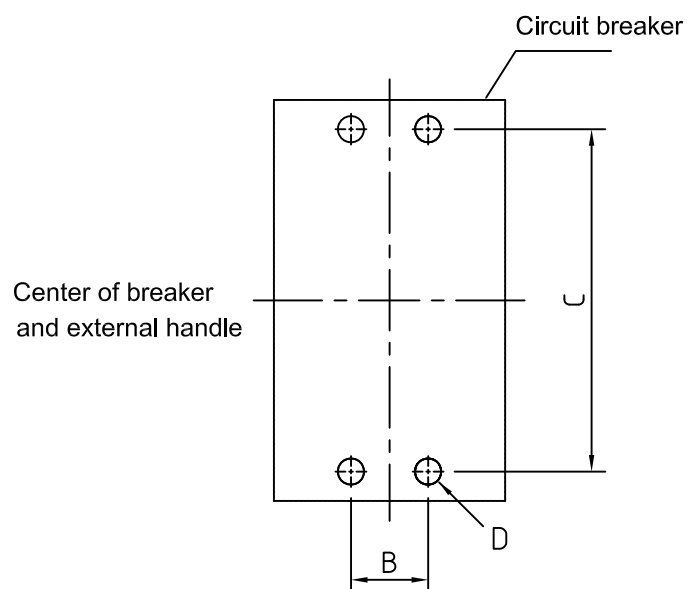


fig.3