

1

2

3

4

5

6

a

a

b

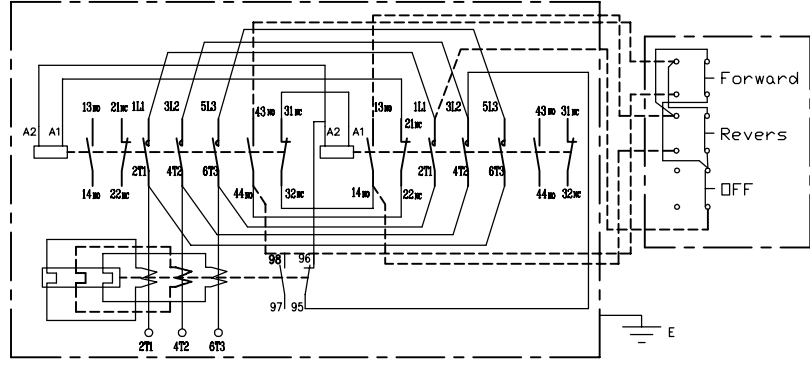
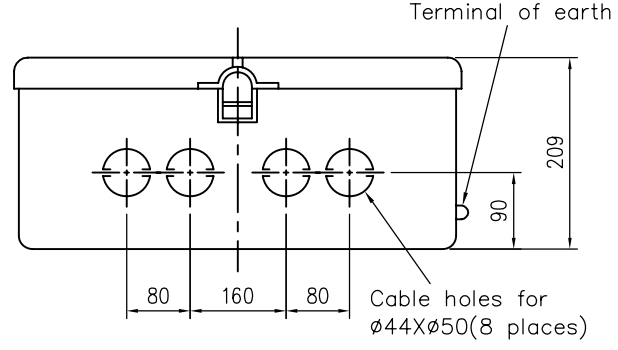
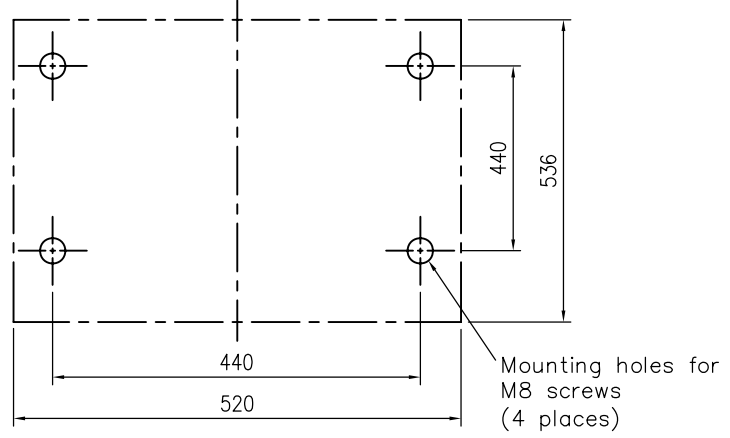
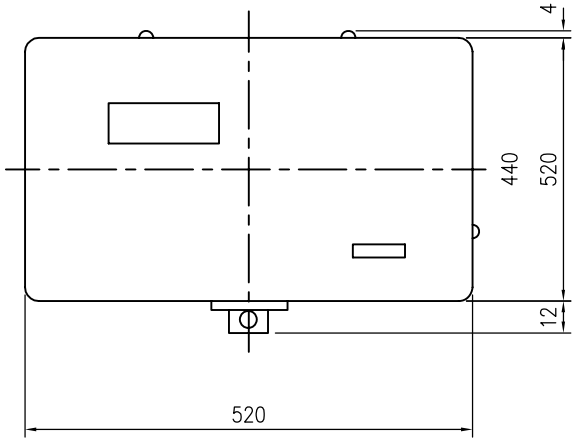
b

c

c

d

d



CHANGE

A

THIRD ANGLE PROJECTION	Category	Enclosed Reversing D.O.L starters
UNIT: mm	Model	MS-2xP200T, P220T

Shihlin Electric & Engineering Corp.

1

2

3

4

5

6