

1

2

3

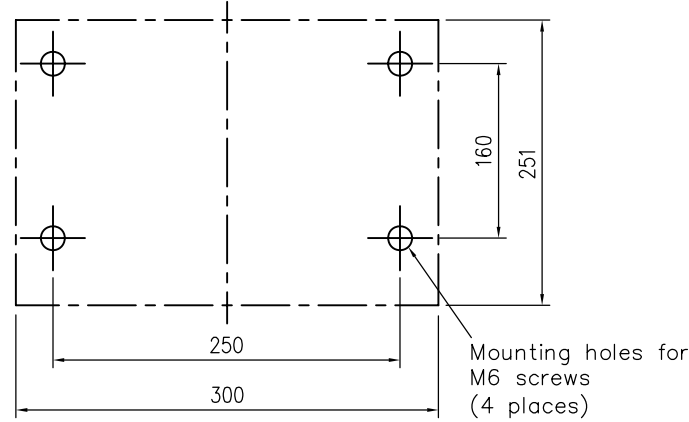
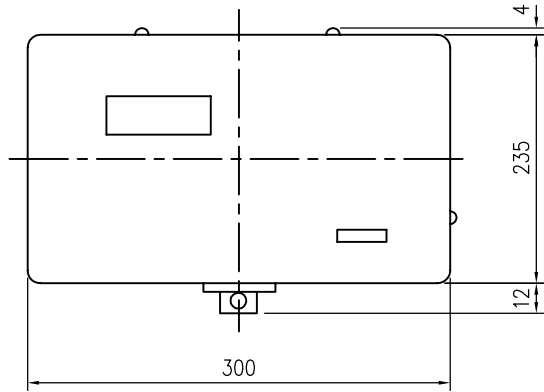
4

5

6

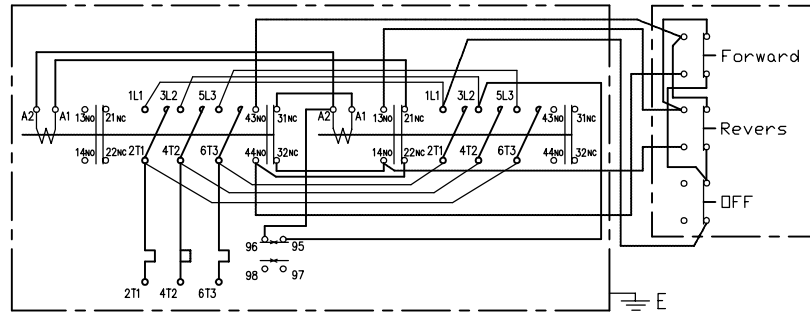
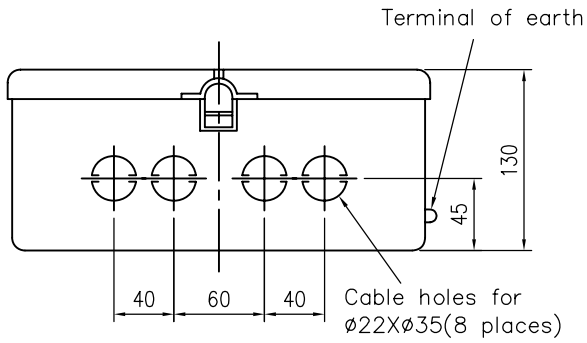
a

a



b

b



c

c

d

d

CHANGE

A

THIRD ANGLE PROJECTION

Category

Enclosed Reversing D.O.L starters

UNIT: mm

Model

MS-2xP50T, MS-2xP60T

Shihlin Electric & Engineering Corp.

1

2

3

4

5

6