

1 2 3 4 5 6 7 8 9

a

b

c

d

e

f

a

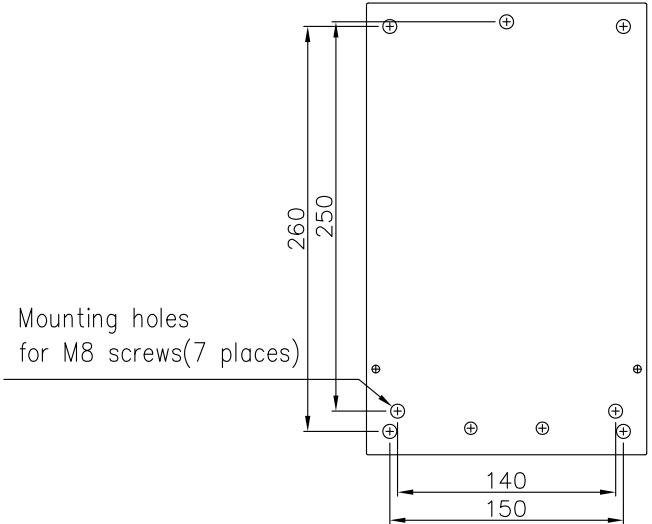
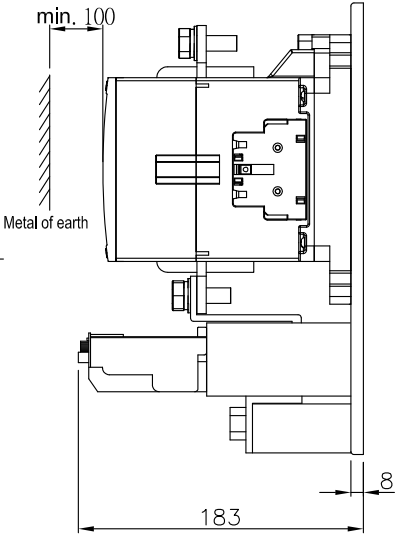
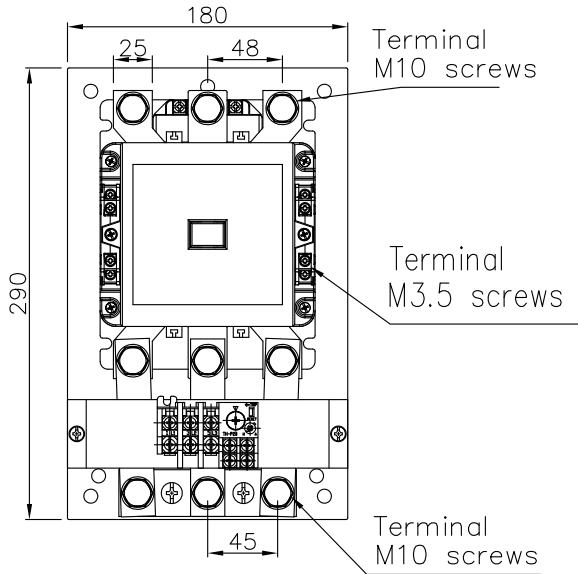
b

c

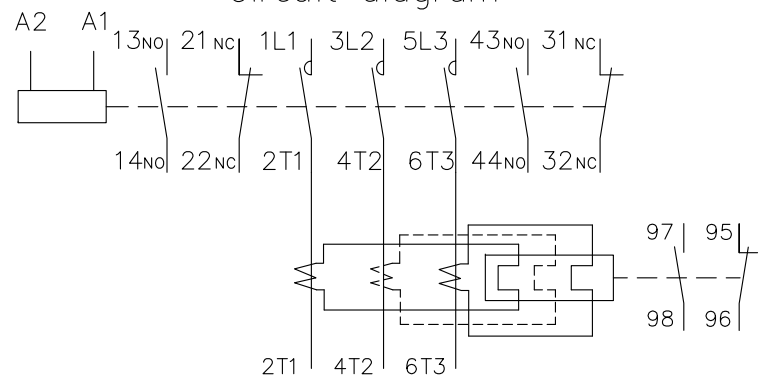
d

e

f



Circuit diagram



Modification

THIRD ANGLE PROJECTION	Category	Direct-on-line Starers
UNIT: mm	Model	MSO-P200T/220T
Shihlin Electric & Engineering Corp.		

1 2 3 4 5 6 7 8 9