

Motor Operation Device Dimension



Overall dimension

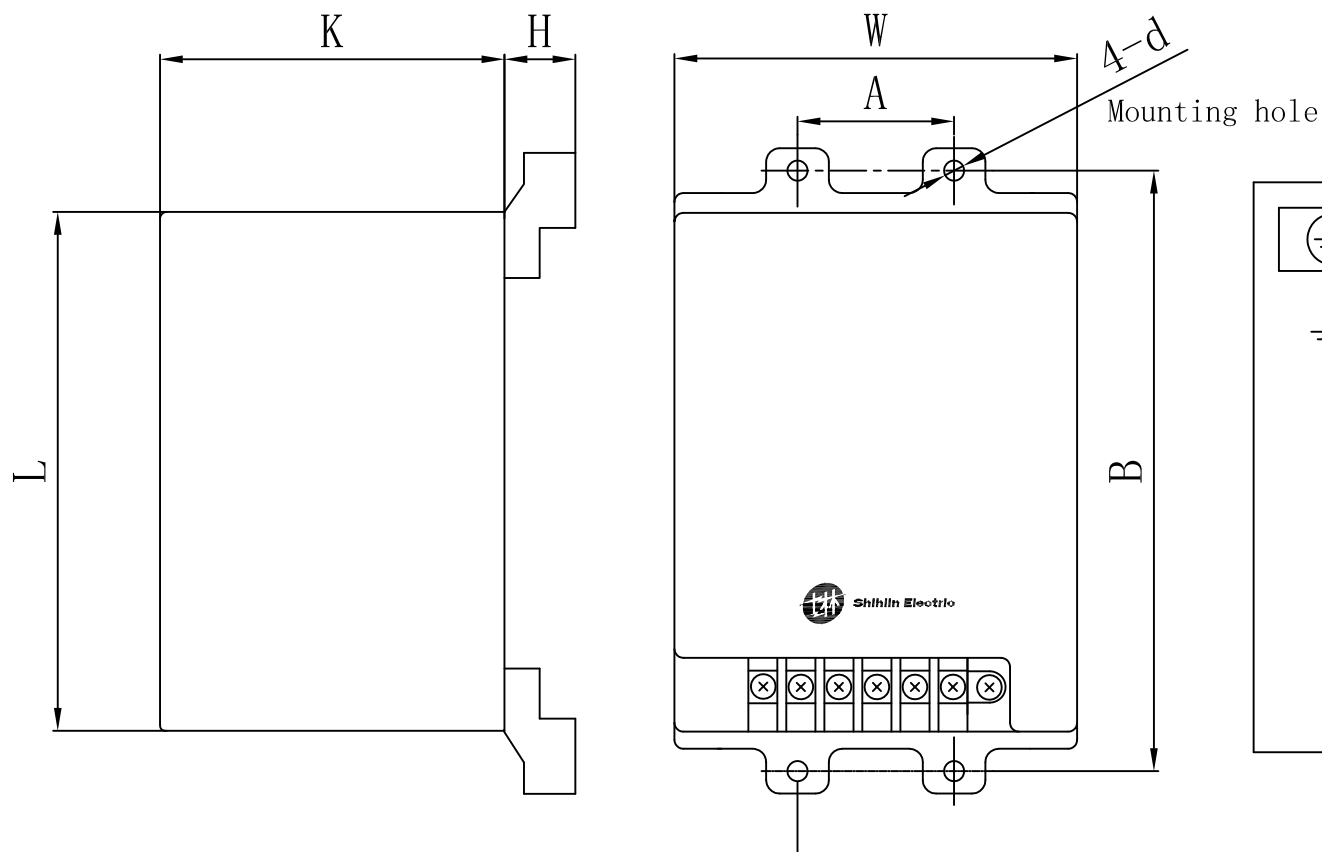


Fig. 1

Wiring diagram

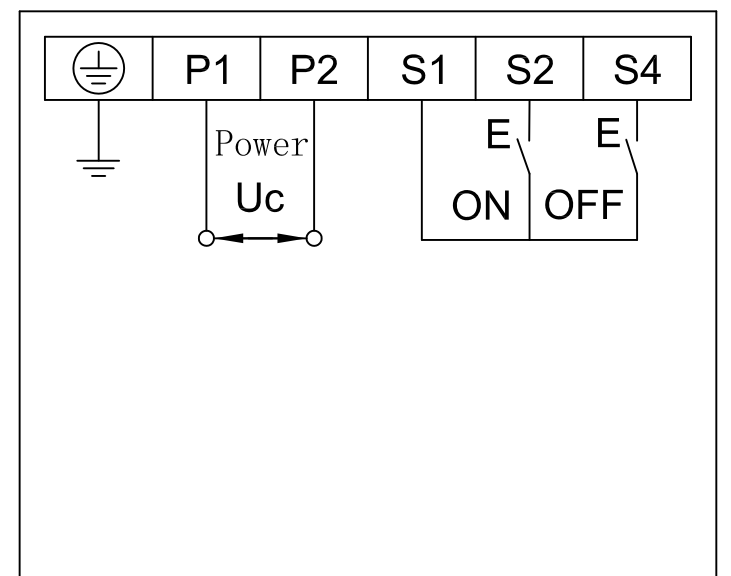


Fig. 2

Type	Model	Dimension							Operation Voltage
		A	B	d	H	K	L	W	
MT-100N	BM30-SN BL50-SN BM63-CN/SN/HN BM100-CN/SN	25	111	$\Phi 4.5$	16.5	79	102	74	AC: 100-240V/ DC: 100-220V or DC: 24V
MT-125N	BM63-HBN BM100-HN BL100-SN/HN BM125-SN/HN	30	132	$\Phi 4.5$	15	77	116	90	AC: 230V/ DC: 220V or AC: 110V/ DC: 110V or DC: 24V
MT-250N	BM100-HBN BM160-SN/HN BM250-SN/HN BL160-SN BL250-SN	30	126	$\Phi 4.5$	15	77	116	90	
MT-250E	BM100-H/HC/HS BM160-HB/HC/HS BM250-HB/HC/HS	30	126	$\Phi 4.5$	15	77	116	90	
MT-400N	BM400-SN/HN/RN/UN BL400-SN/HN/RN/UN	44	194	$\Phi 6.5$	36	115	176	130	
MT-800N	BM630-CN/SN/HN/RN/UN BM800-CN/SN/HN/RN	70	243	$\Phi 6.5$	36	115	176	130	