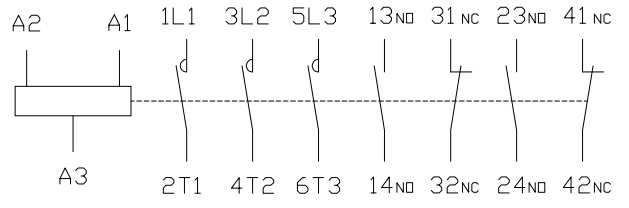
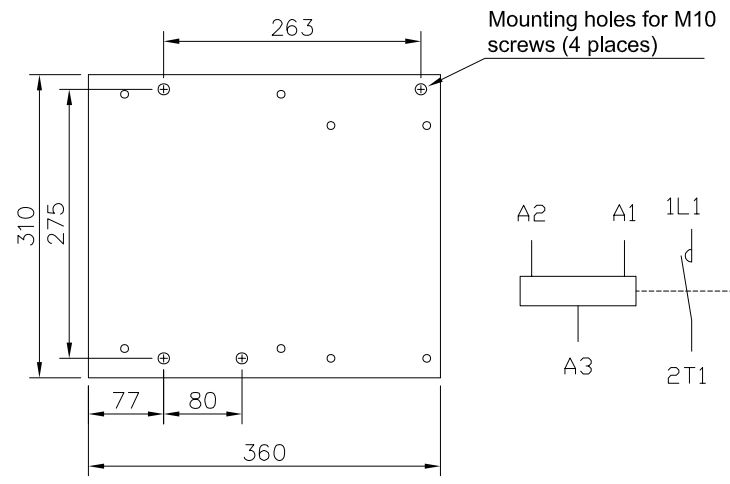
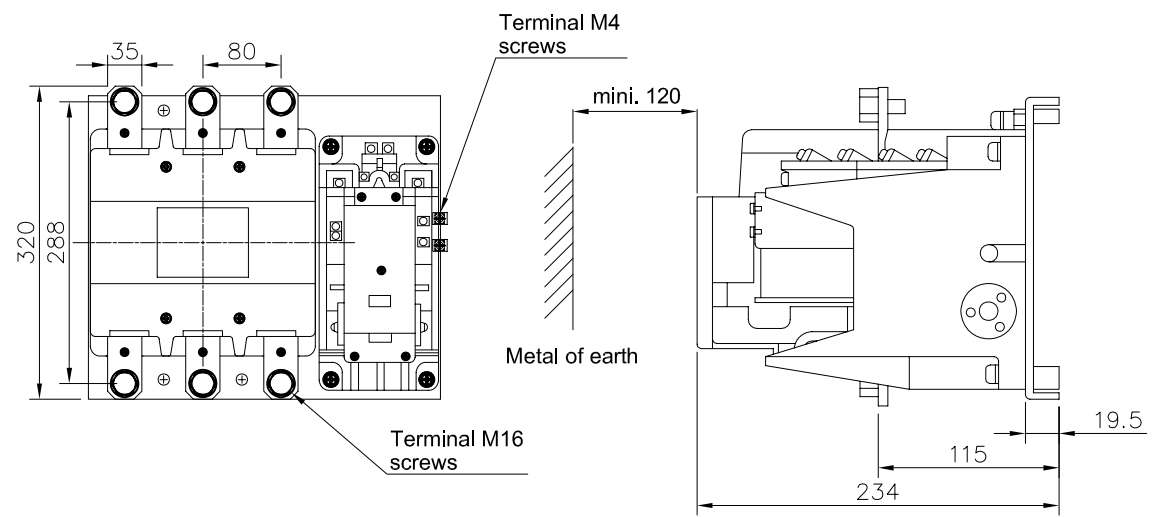


1 2 3 4 5 6

a  
b  
c  
d



CHANGE A

THIRD ANGLE PROJECTION	Category	Contactur
UNIT: mm	Model	S-C600

Shihlin Electric & Engineering Corp.

1 2 3 4 5 6