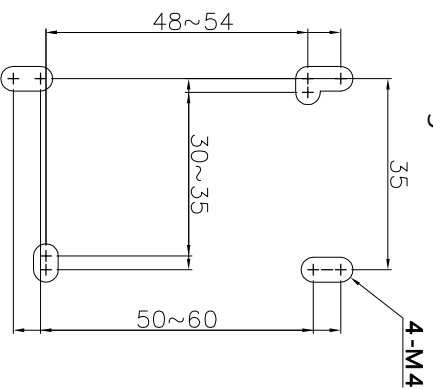
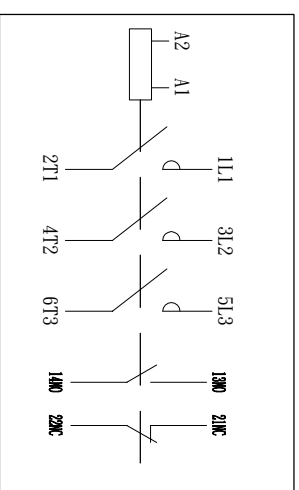


Mounting Dimensions



Contact Arrangement



DRAW NO: WS100C051

Category: Contactor

UNIT: mm

DATE: 2018.10.30

Model: S-P9TS、P12TS

Shihlin Electric & Engineering Corporation