

1

2

3

4

5

6

a

a

b

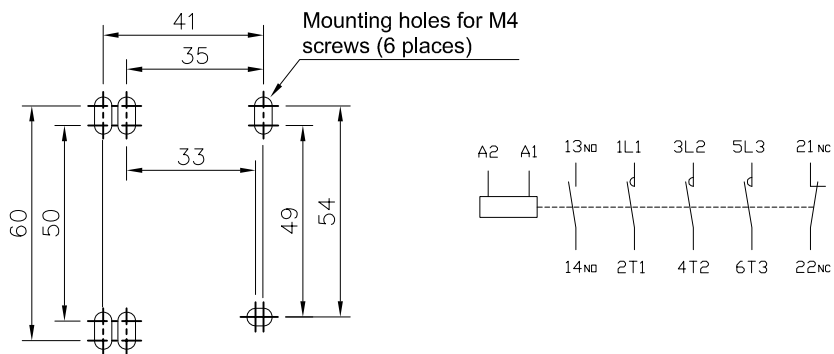
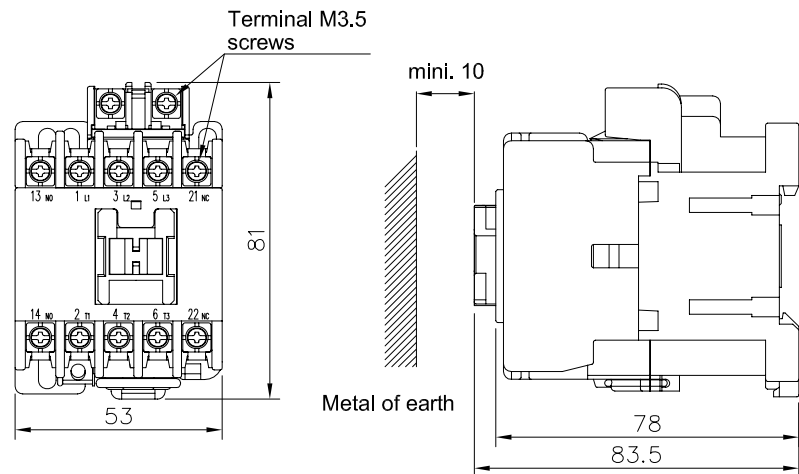
b

c

c

d

d



CHANGE A

THIRD ANGLE PROJECTION

Category

Contactor

UNIT: mm

Model

S-P12

Shihlin Electric & Engineering Corp.

1

2

3

4

5

6