

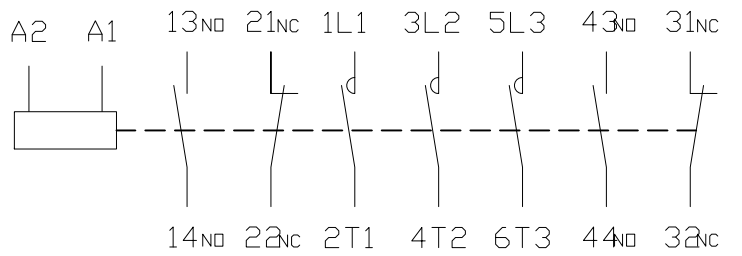
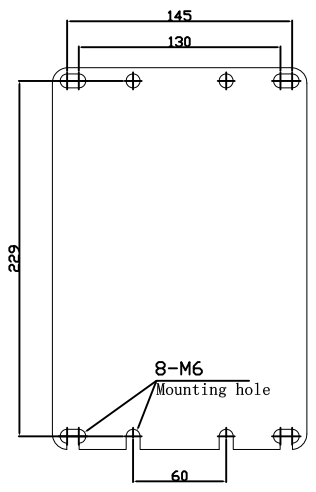
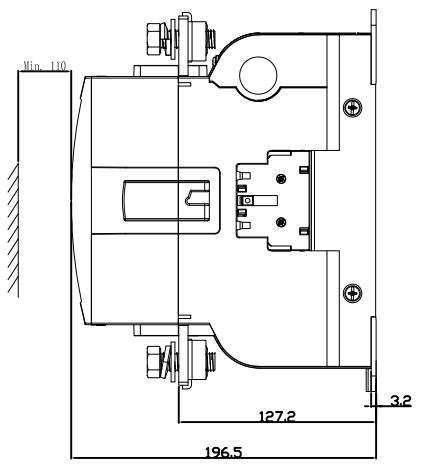
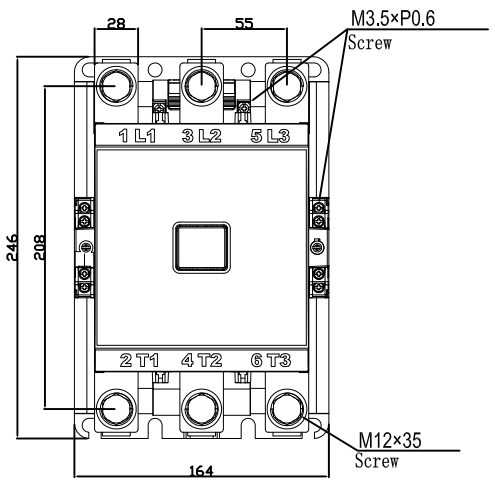
1 2 3 4 5 6

a

b

c

d



a

b

c

d

CHANGE A

THIRD ANGLE PROJECTION	Category	Contactor
UNIT: mm	Model	S-P300T, 400T

Shihlin Electric & Engineering Corp.

1 2 3 4 5 6