

1

2

3

4

5

6

a

a

b

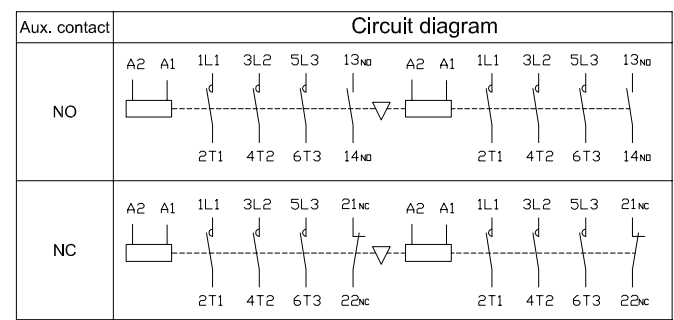
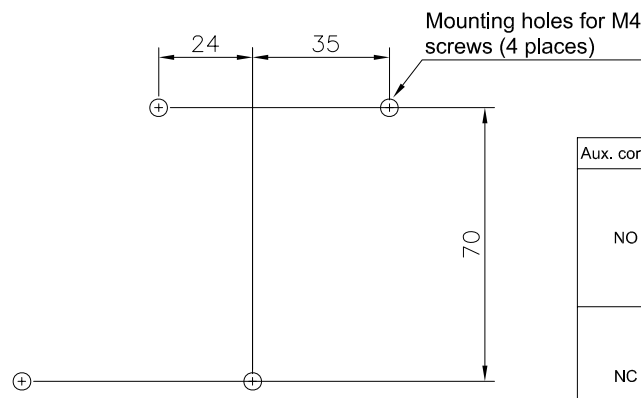
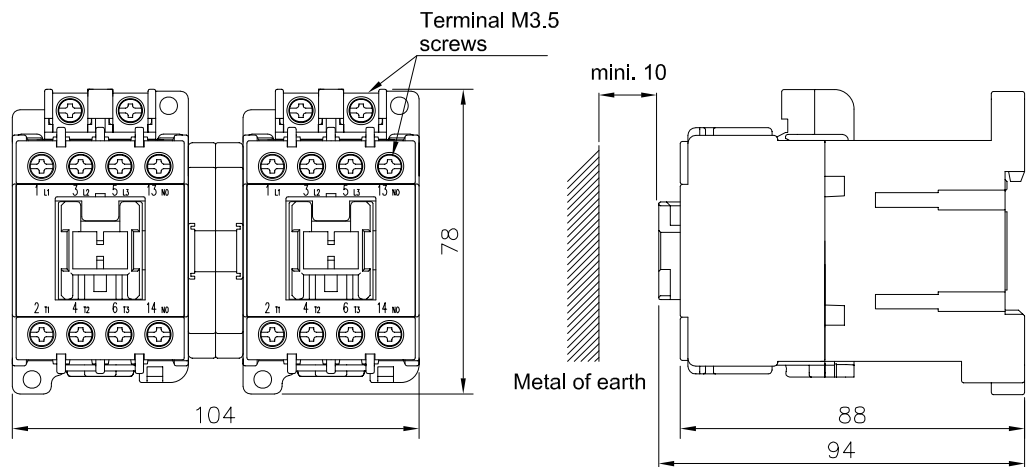
b

c

c

d

d



CHANGE A

THIRD ANGLE PROJECTION	Category	Contactur
UNIT: mm	Model	SD-2xP11

Shihlin Electric & Engineering Corp.

1

2

3

4

5

6