

1

2

3

4

5

6

a

a

b

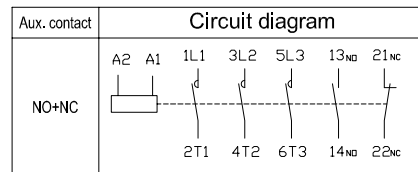
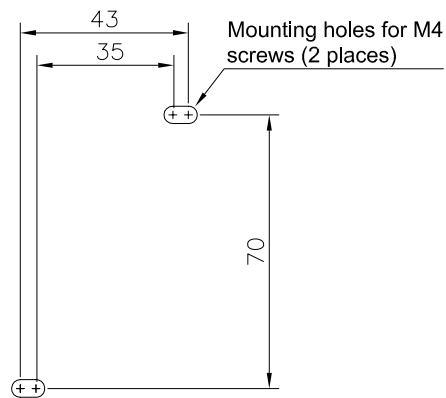
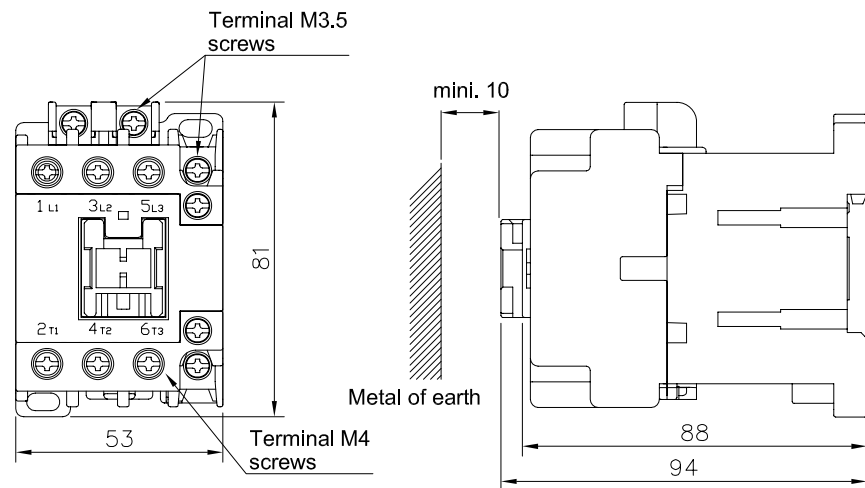
b

c

c

d

d



CHANGE

A

THIRD ANGLE PROJECTION

Category

Contactur

UNIT: mm

Model

SD-P16,P21

Shihlin Electric & Engineering Corp.

1

2

3

4

5

6