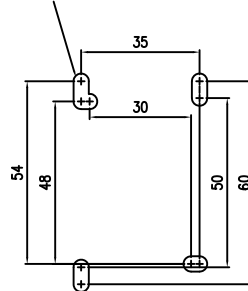
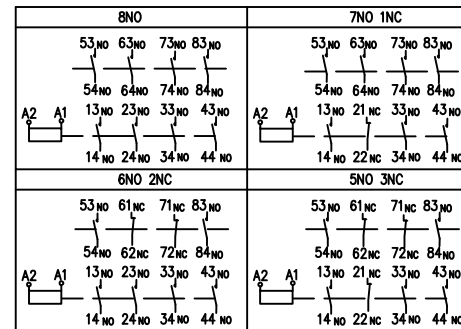


Mounting holes for M4 screws (4 places)



Circuit diagram



Modification A

THIRD ANGLE PROJECTION

Category

Contactor relay

UNIT: mm

Model

SR-P80

Shihlin Electric & Engineering Corp.