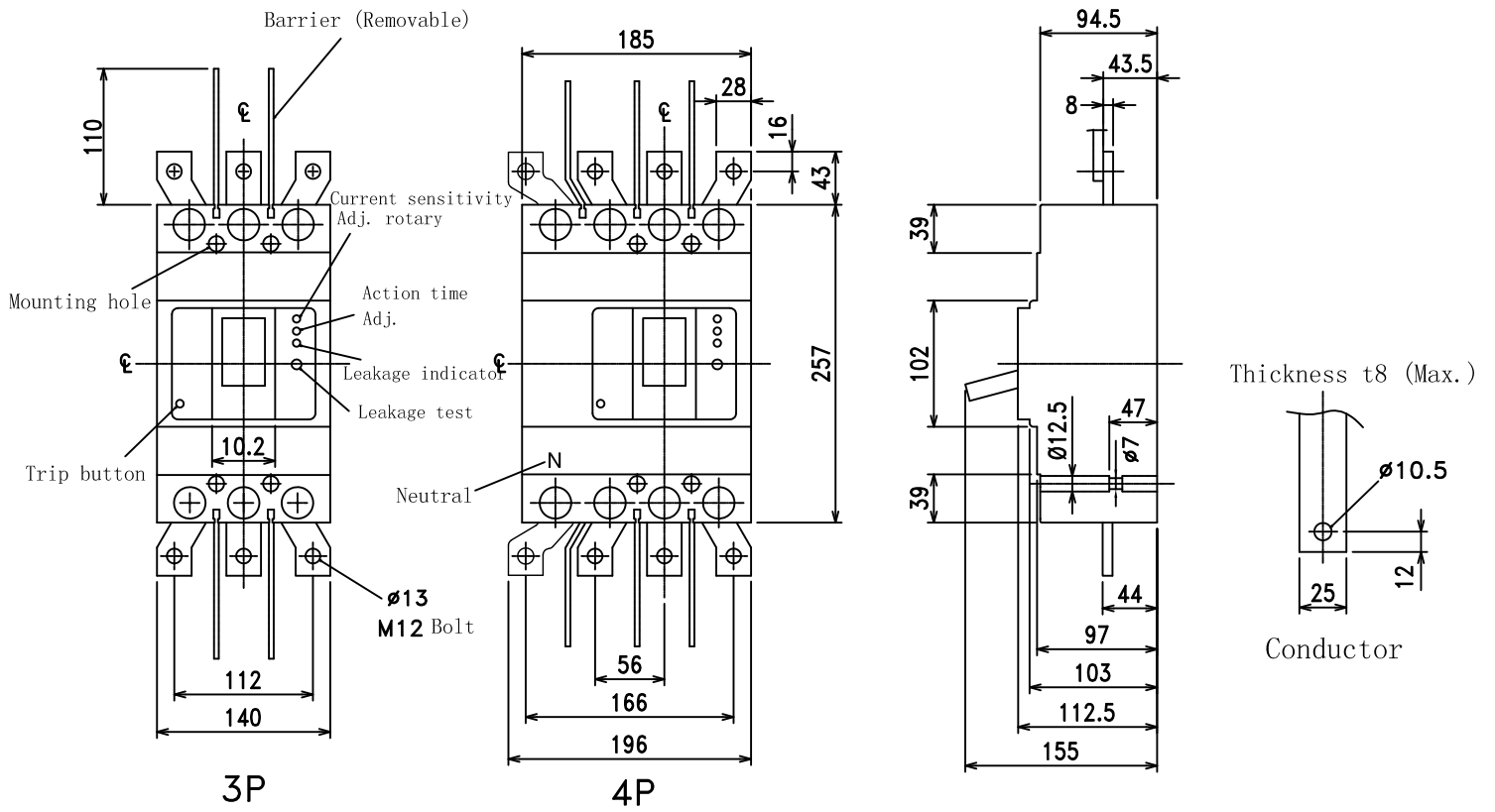


BL400-RN Dimension & Installation



Mounting

Panel cut

