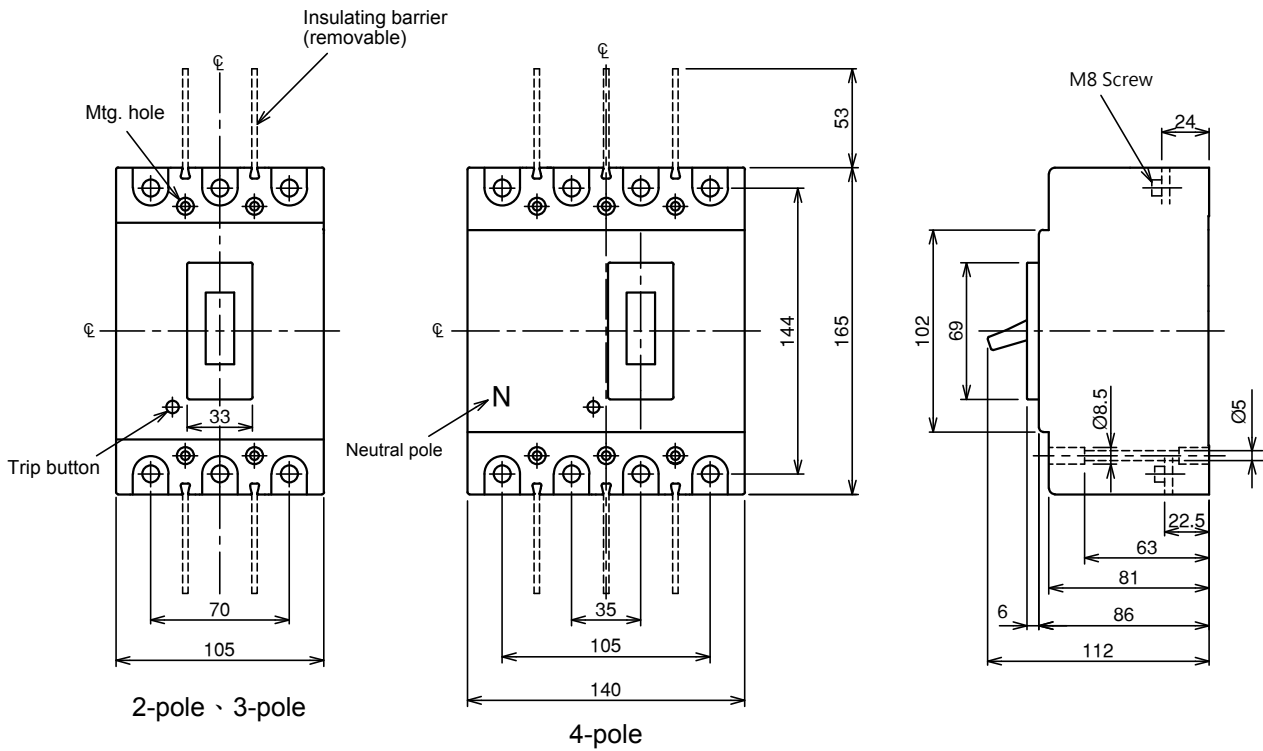
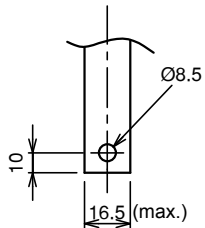


DIMENSIONS AND MOUNTING DETAILS

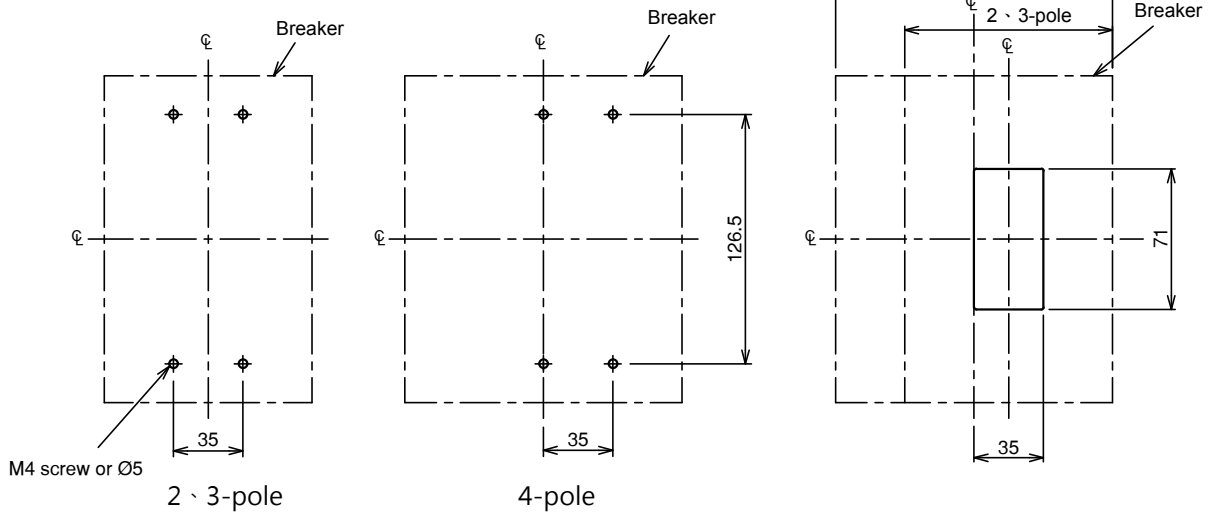
BM100-H • 100-HC • 100-HS



Busbar t max.=5



Bus drilling for direct connection



Drilling plan

Front-panel cutout