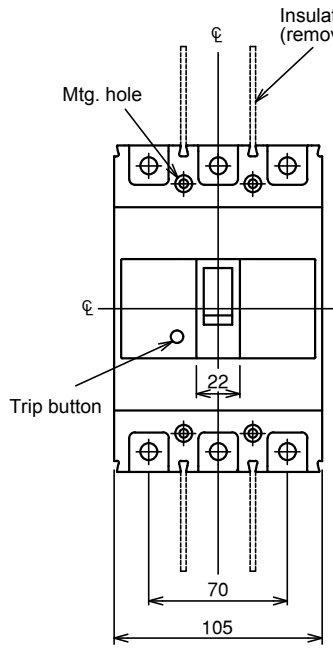
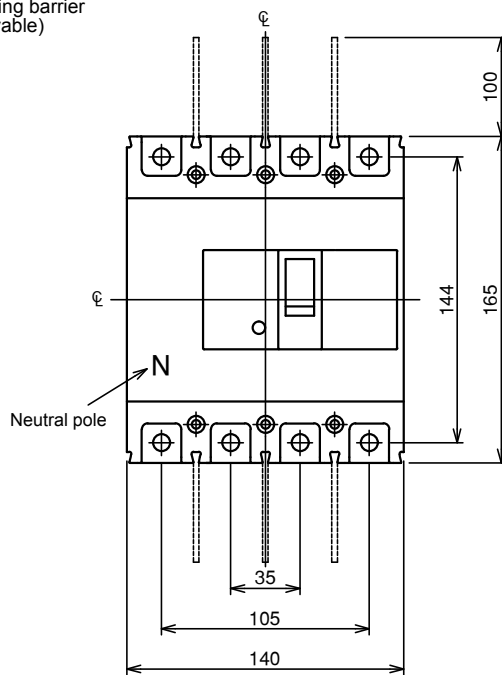


DIMENSIONS AND MOUNTING DETAILS

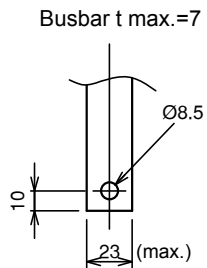
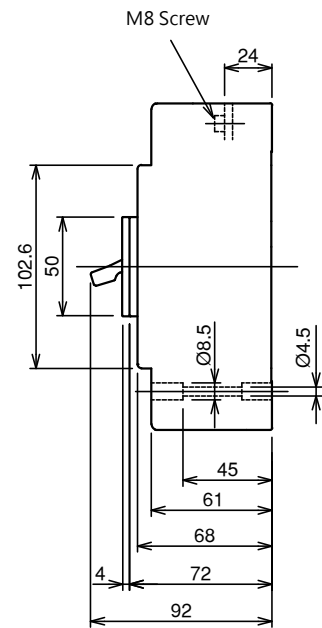
BM160-SN • 160-HN • 250-CN • 250-SN • 250-HN



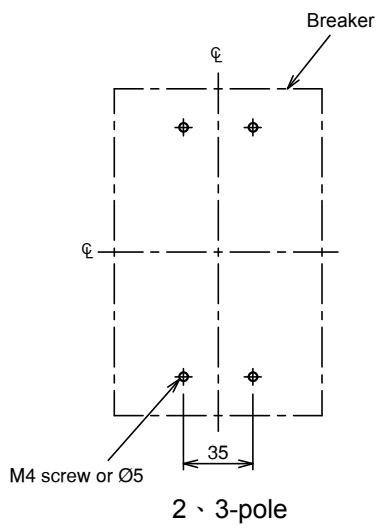
2-pole · 3-pole



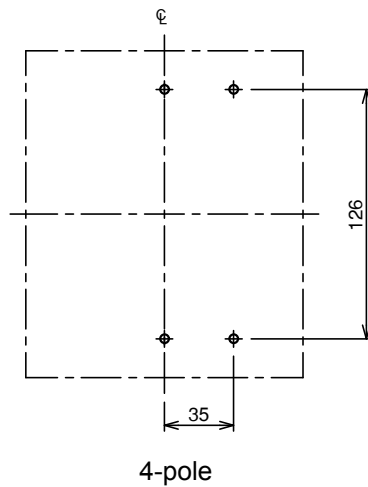
4-pole



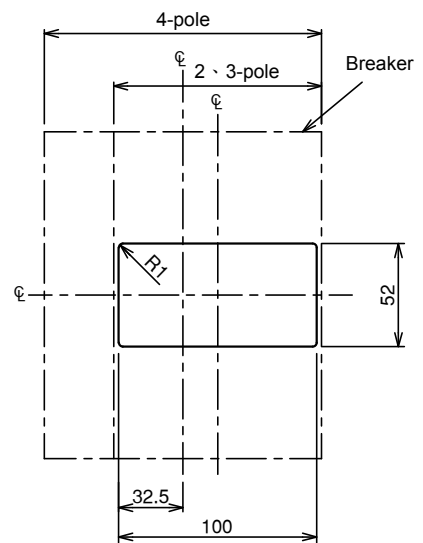
Bus drilling for direct connection



2 · 3-pole



4-pole



Front-panel cutout