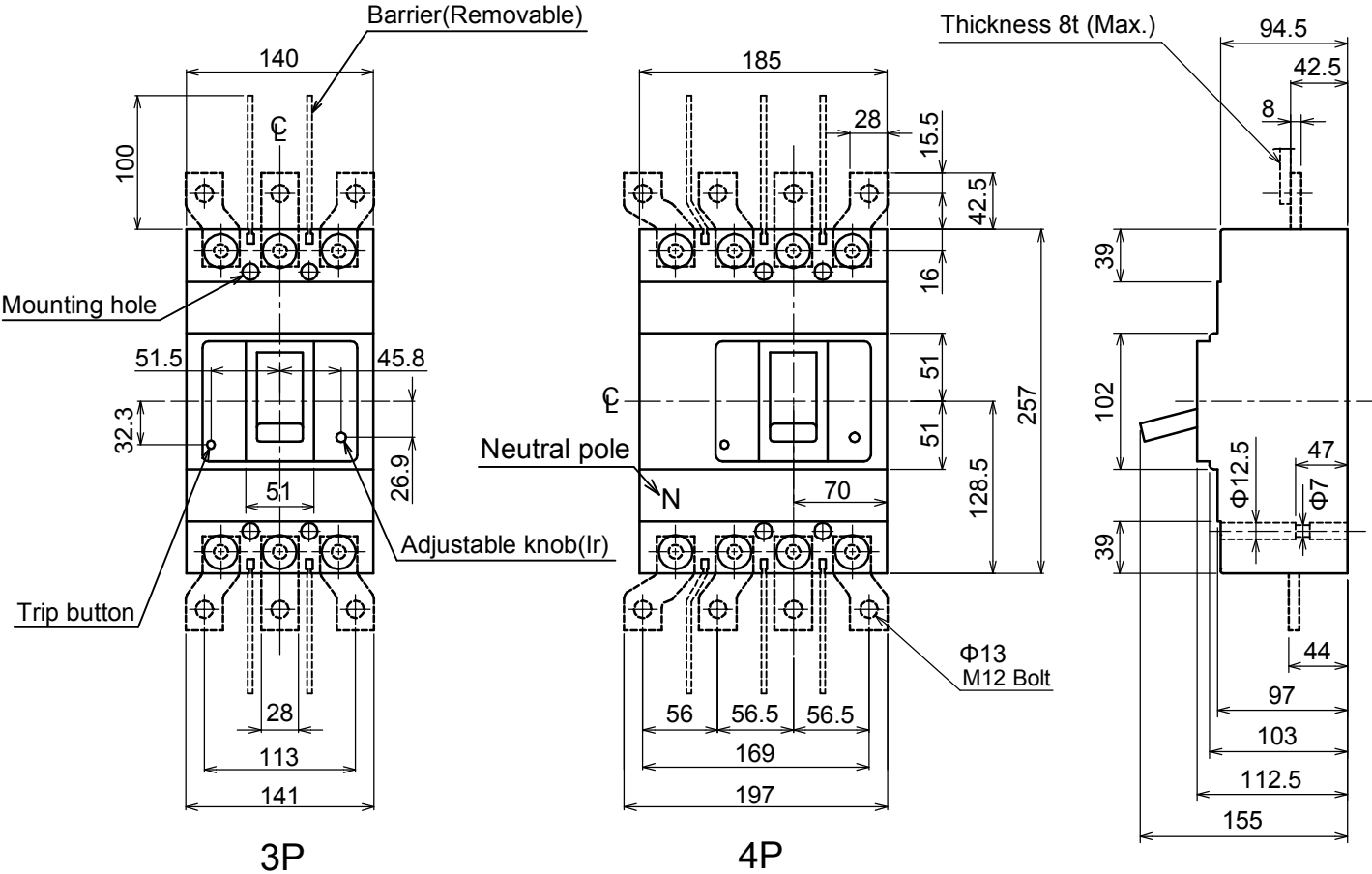


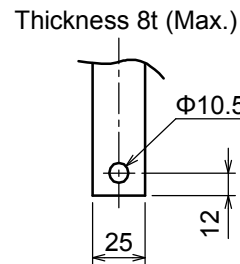
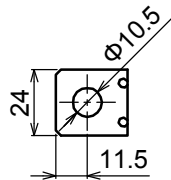
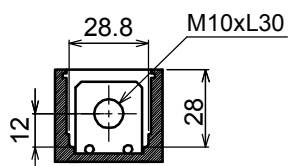
BMA400-RTA,HTA,LTA 3P/4P Dimension & Installation



Terminal details

Connecting

Conductor



Mounting

Panel cut

