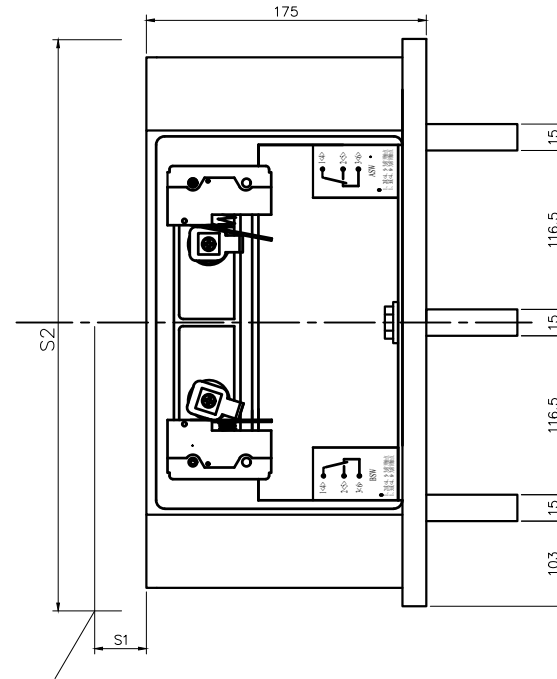
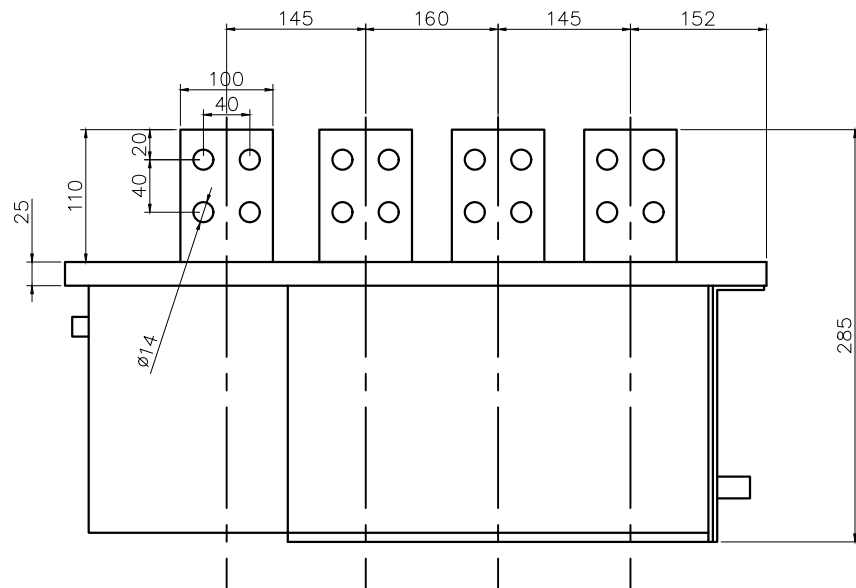
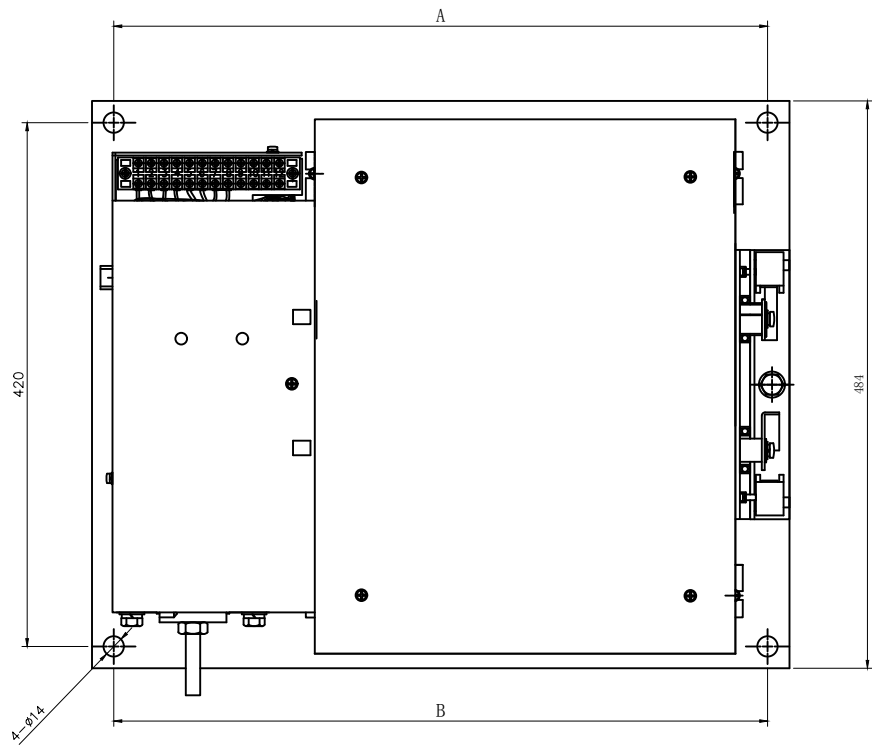


2000A



Safety distance

Unit (mm)	Ue	400V	690V
S1		50	100
S2		560	600

	A	B
3P	680	595
4P	850	790