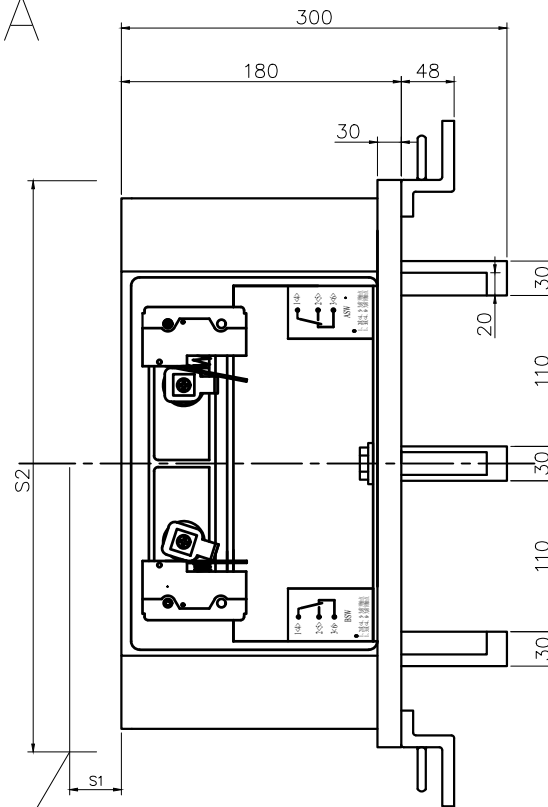
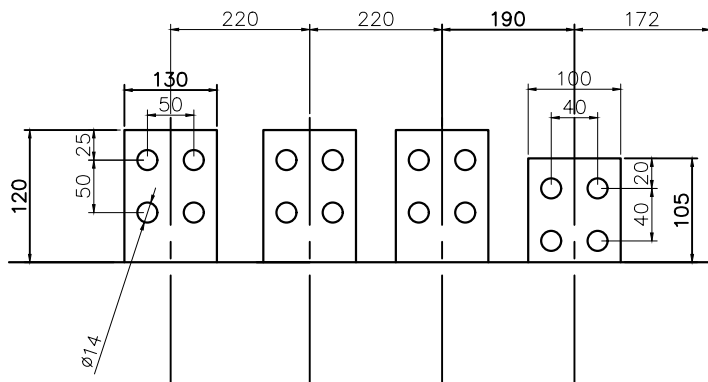
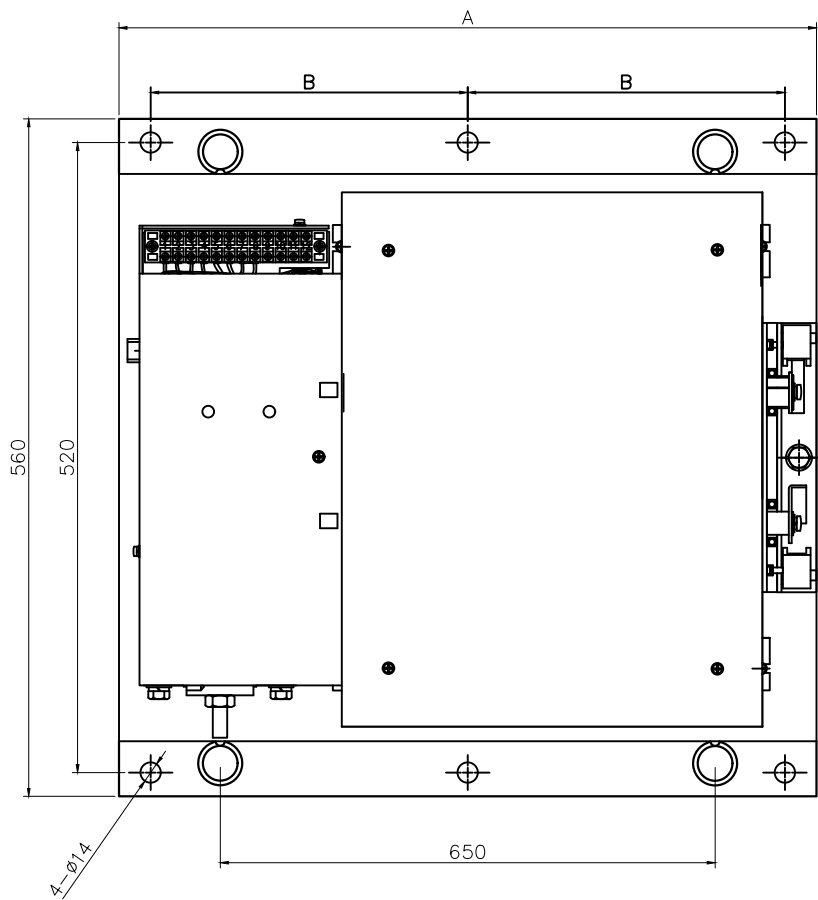


# 3150A



Safety distance

Unit (mm)	Ue 400V	690V
S1	50	100
S2	560	600

	A	B
3P		
4P	1070	480