
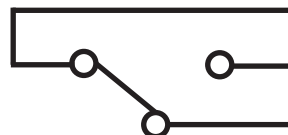

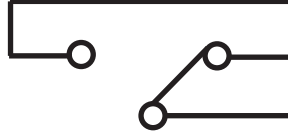
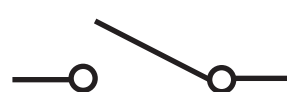
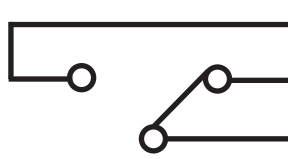

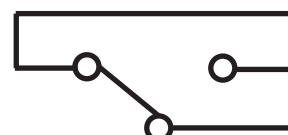


## MCCB Accessory Specification

### Alarm Switch (AL)

Circuit breaker state	Alarm switch state
 <p style="text-align: center;">Trip</p>	 <p>Ala1 (Open) Alb1 (Close) Alc1 (DC+)</p>
 <p style="text-align: center;">OFF                      ON</p>	 <p>Ala1 (Close) Alb1 (Open) Alc1 (DC+)</p>

### Auxiliary Contact (AX)

Circuit breaker state	Auxiliary contact state
 <p style="text-align: center;">Trip</p>	 <p>Ala1 (Open) Alb1 (Close) Alc1 (DC+)</p>
 <p style="text-align: center;">ON</p>	 <p>Ala1 (Close) Alb1 (Open) Alc1 (DC+)</p>

### Contact Rating of AL & AX

Contact	AC			AC		
	Voltage V	Current (A)		Voltage V	Current (A)	
		Resistive load	Inductive load		Resistive load	Inductive load
V10	250	10	6	250	0.3	0.3
				125	0.6	0.6
V15	250	15	10	250	0.3	0.3
				125	0.6	0.6

Note: V10 is for N series, such as CN, SN, HN...; V15 is for the rest of series

### Shunt Lease Device (SHT)

Control voltage		Operation voltage
AC	220V	70%~110% of control voltage
	380V	
	440V	
DC	24V	

### Under Voltage Trip (UVT)

Control voltage		Operation voltage	Trip voltage
AC	220V	85%~110% of control voltage	35%~70% of control voltage
	380V		
	415V		
	440V		