

1

2

3

4

5

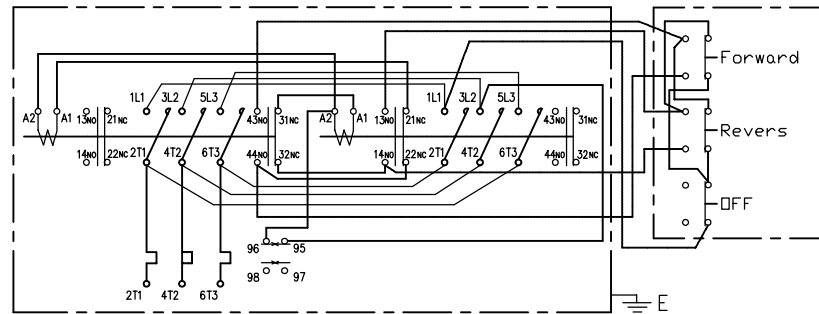
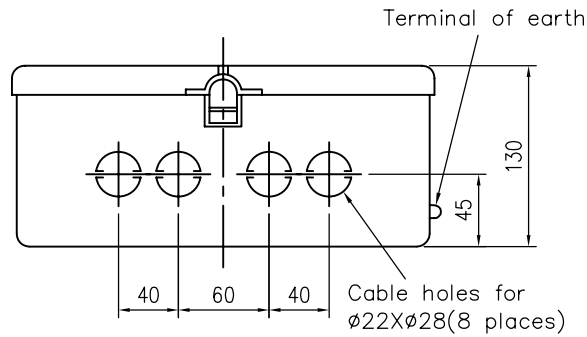
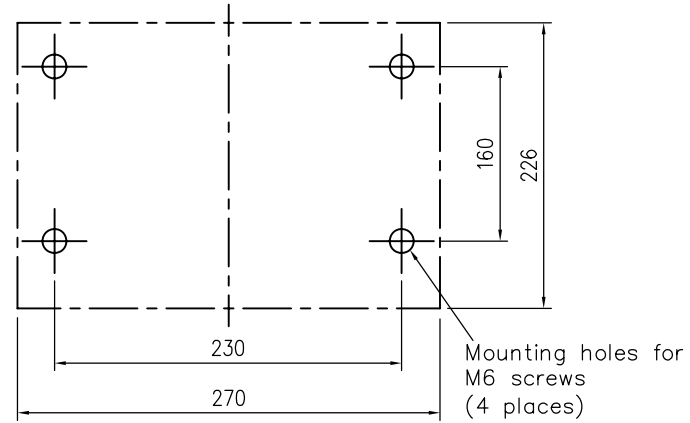
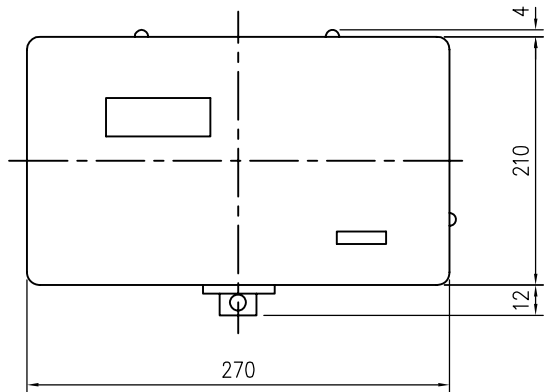
6

a

b

c

d



CHANGE

A

THIRD ANGLE PROJECTION

UNIT: mm

Category	Enclosed Reversing D.O.L starters
----------	-----------------------------------

Model	MS-2xP30T, MS-2xP35T, MS-2xP40T
-------	---------------------------------

Shihlin Electric & Engineering Corp.

1

2

3

4

5

6

a

b

c

d