

1

2

3

4

5

6

a

a

b

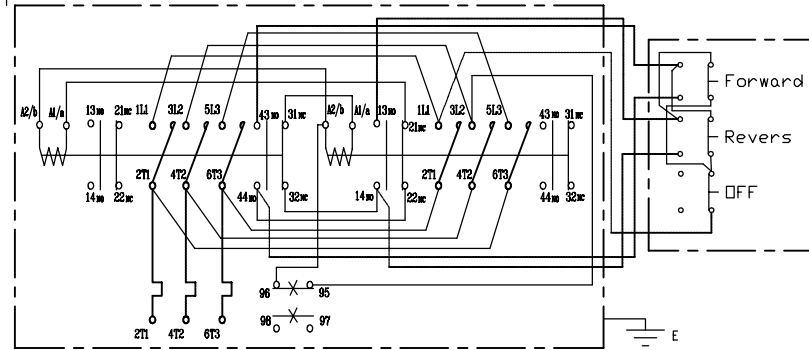
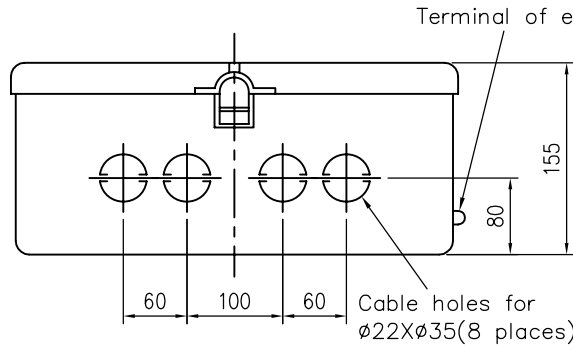
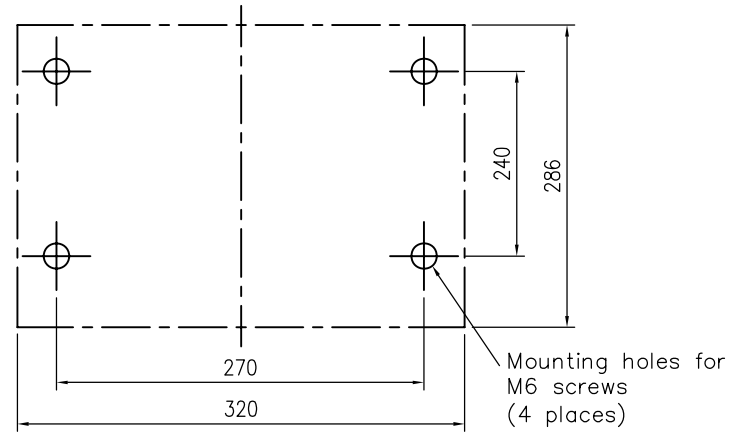
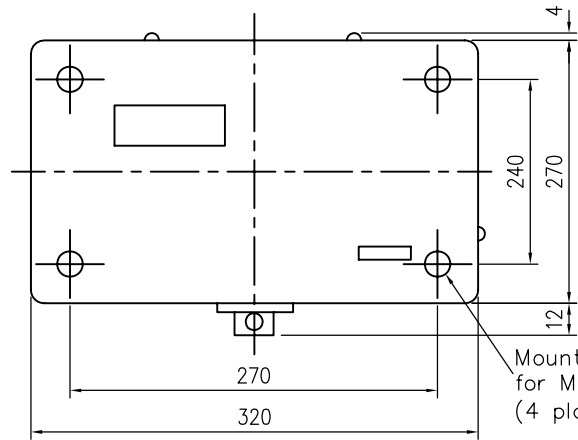
b

c

c

d

d



CHANGE

A

THIRD ANGLE PROJECTION

Category

Enclosed Reversing D.O.L starters

UNIT: mm

Model

MS-2xP80T

Shihlin Electric & Engineering Corp.

1

2

3

4

5

6