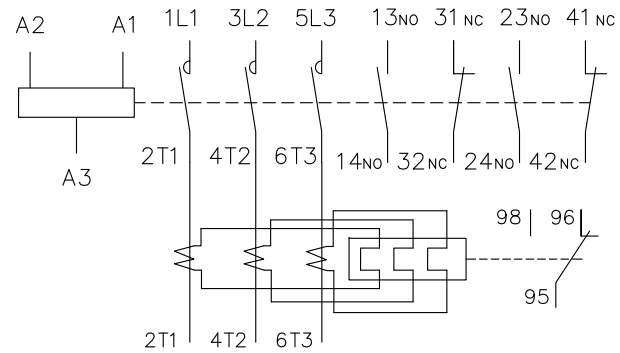


Circuit diagram



Modification A

THIRD ANGLE PROJECTION	Category	Direct-on-line Starers
UNIT: mm	Model	MSO-C600

Shihlin Electric & Engineering Corp.