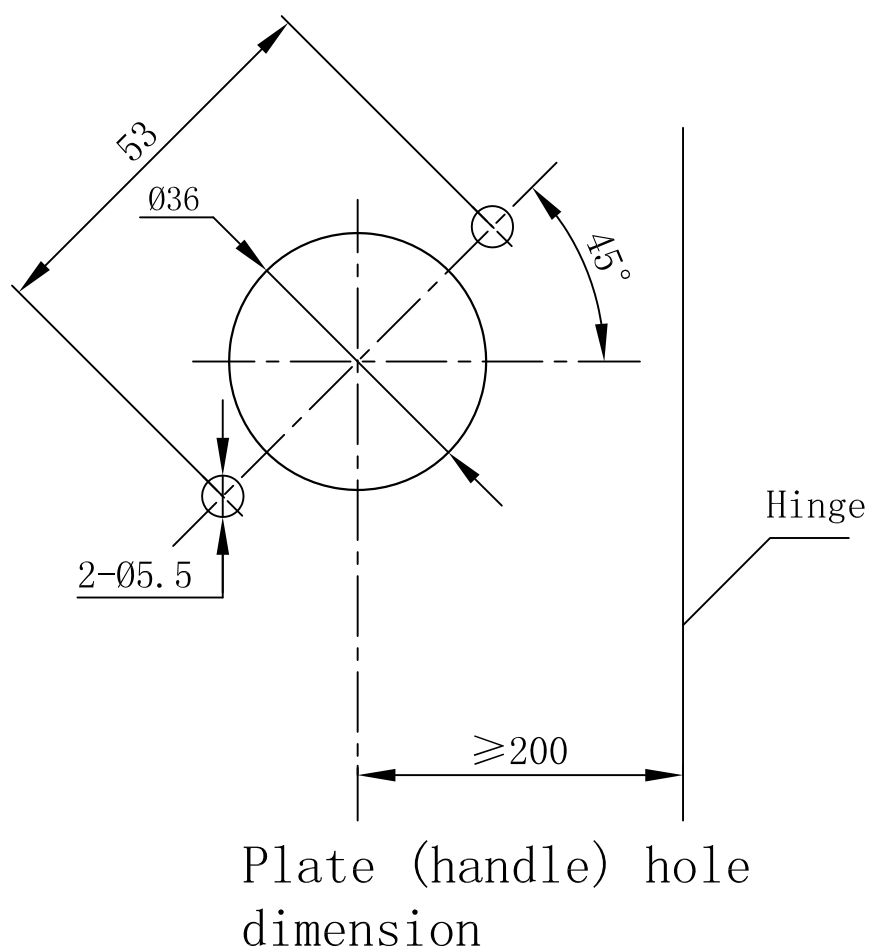
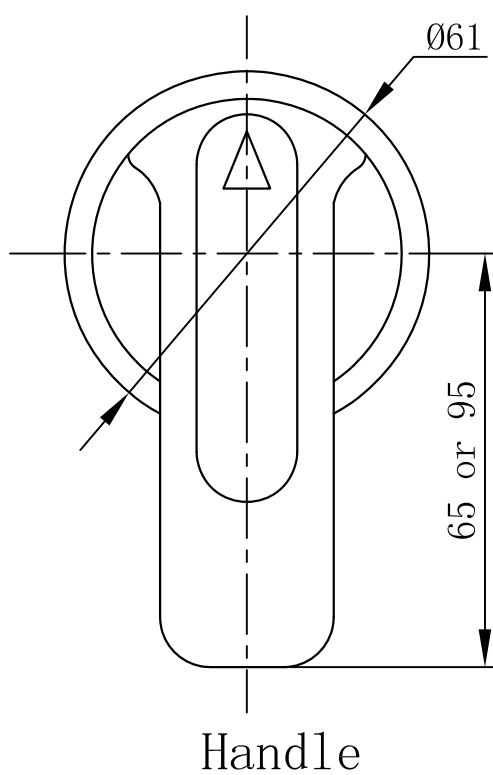
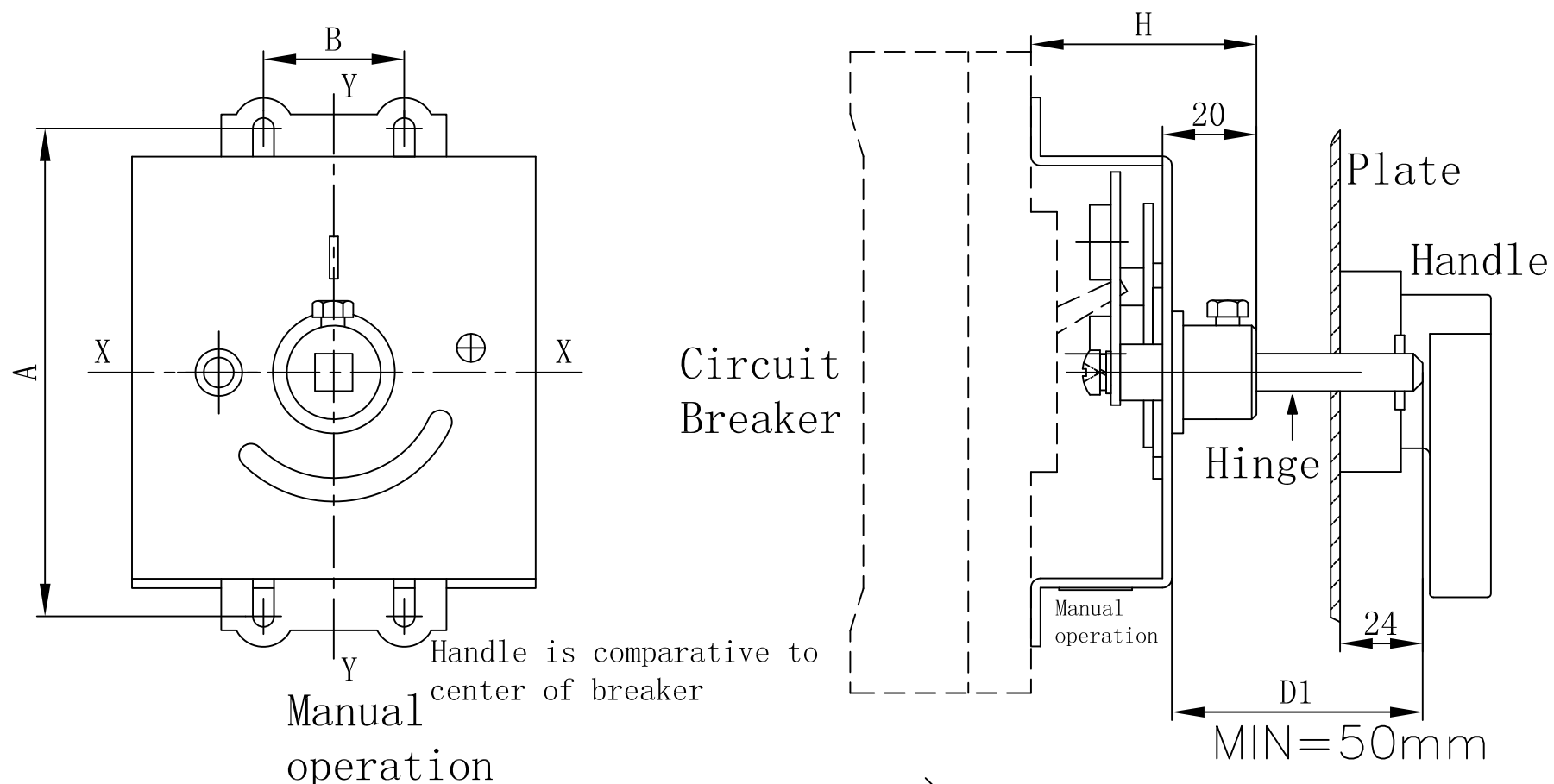


# Manual Operation Device

## Dimension



Type	Dimension/mm				Model
	A	B	H	Y	
MA-100N	111	25	53.5	+8	BM30-SN, BM63-CN/SN/HN, BM100-CN/SN, BL50-SN
MA-125N	132	30	54	+8	BM63-HBN, BM100-HN, BL100-SN/HN, BM125-SN/HN
MA-250N	146	35	56	0	BM100-HBN, BM160-SN/HN, BL160-SN, BM250-SN/HN, BL250-SN
MA-250H	146	35	56	0	BM100-H/HC/HS, BM160-HB/HC/HS, BM250-HB/HC/HS
MA-400N	221	45	85	+10	BM400-SN/HN/RN/UN, BL400-SN/HN/RN/UN
MA-800N	242	70	85	+10	BM630-CN/SN/HN/RN/UN, BM800-CN/SN/HN/RN