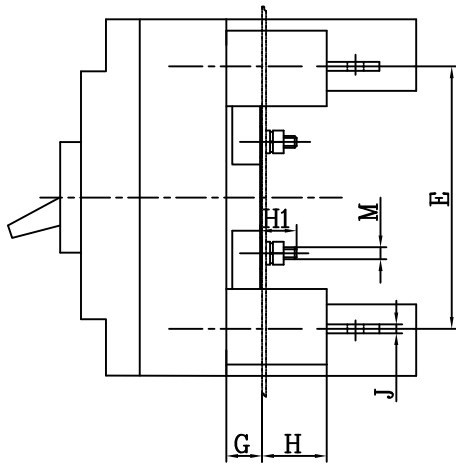
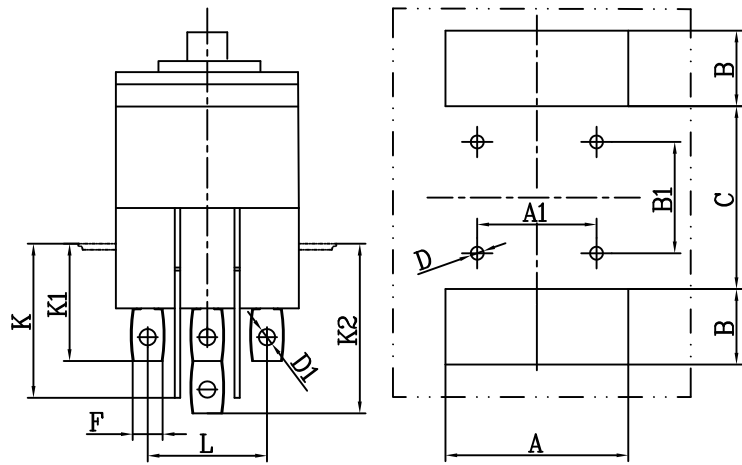


Rear Connection Dimension

Overall Dimension



Installation Dimension



Type	Model	Pole	Dimension (mm)																	Connection		
			A	A1	B	B1	C	D	D1	E	F	G	H	H1	J	K	K1	K2	L	M	Horizontal	Vertical
PGI-100N	BM30-SN BM63-CN/SN/HN BM100-CN/SN	3P	74	50	24	58	90	Ø5	/	116	M10	9.5	28	12	M10	/	62	122	50	M4	✓	✓
		4P	99	75															75			
PGI-125N	BM63-HBN BM100-HN BL100-SN/HN BM125-SN/HN	3P	92	60	30	70	104	Ø6	/	134	*M10	13	26	16	*M10	/	62	122	60	M5	✓	✓
		4P	122	90															90			
PGI-250N	BM160-SN/HN BM250-SN/HN BL160-SN、BL250-SN	3P	107	70	38	73	106	Ø6	Ø10	144	25	13	34	15	6	/	79	134	70	M5	✓	✓
		4P	142	105															105			
PGI-400N	BM400-SN/HN/RN/UN BL400-SN/HN/RN/UN	3P	137	44	50	135	175	Ø10	Ø13	225	28	18	40	24	8	120	79	/	44	M8	✓	✓
		4P	181	88															88			
PGI-800N	BM630-CN/SN/HN/RN/UN BM800-CN/SN/HN/RN	3P	212	140	57	143	185	Ø10	Ø13	243	44	17	53	20	11	/	146	/	140	M8	✓	✓
		4P	282	210															210			

60