

1

2

3

4

5

6

a

b

c

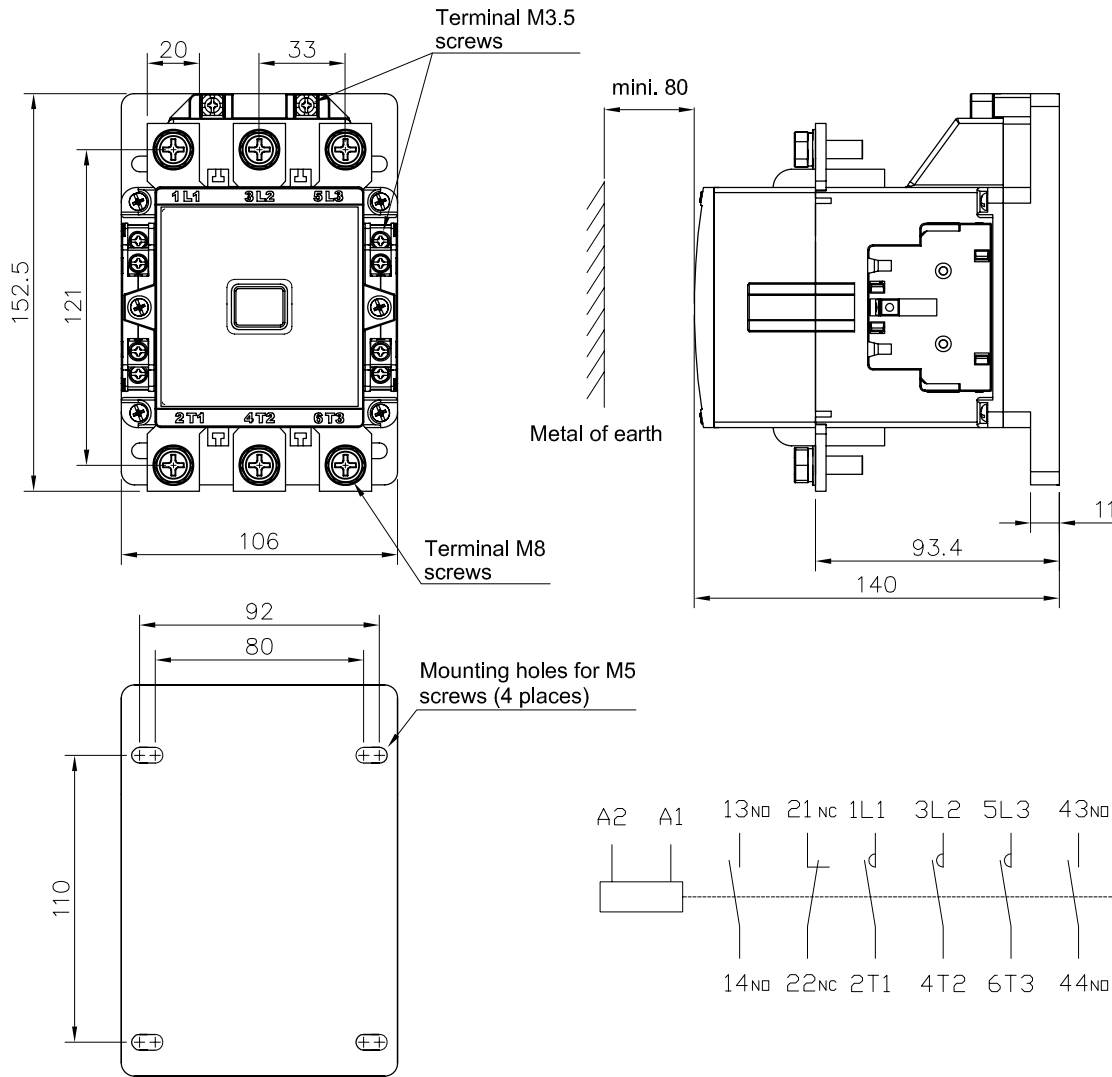
d

a

b

c

d



CHANGE A

THIRD ANGLE PROJECTION

Category

Contactur

UNIT: mm

Model

S-P125T,P150T

Shihlin Electric & Engineering Corp.

1

2

3

4

5

6