

1

2

3

4

5

6

a

a

b

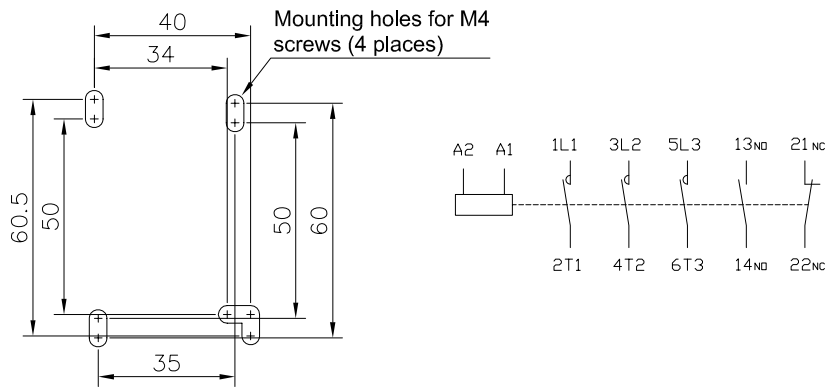
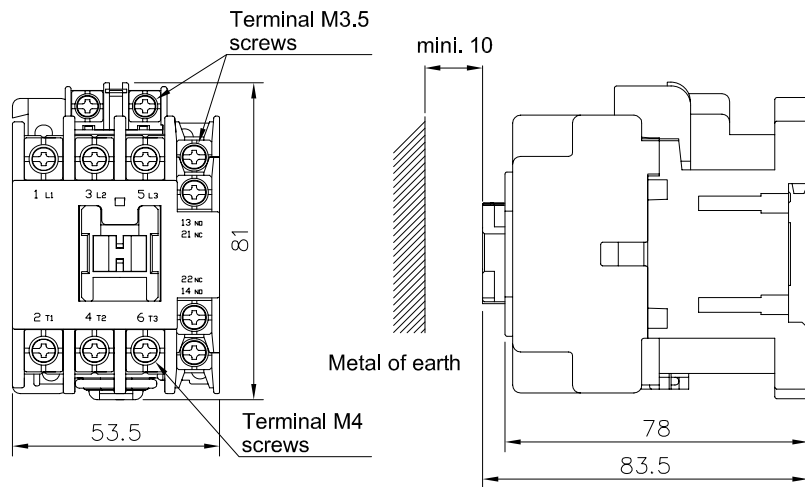
b

c

c

d

d



CHANGE A

THIRD ANGLE PROJECTION	Category	Contactora
UNIT: mm	Model	S-P16,P21,P25

Shihlin Electric & Engineering Corp.

1

2

3

4

5

6