

1

2

3

4

5

6

a

b

c

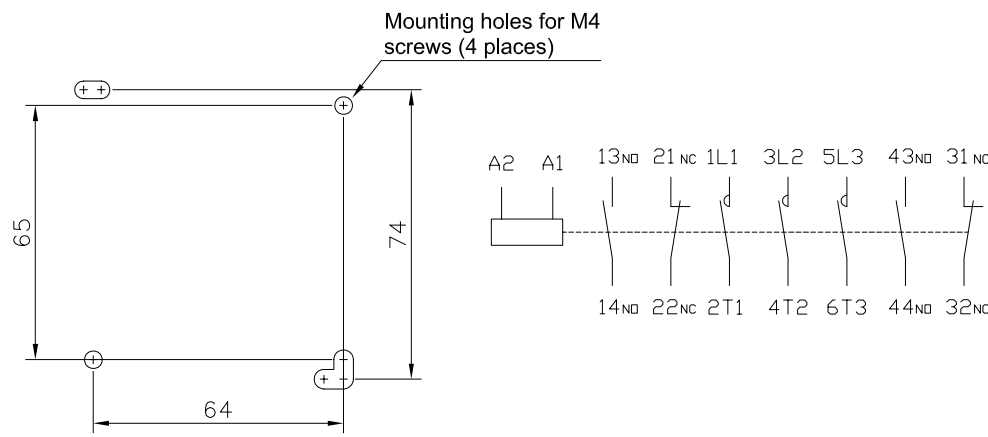
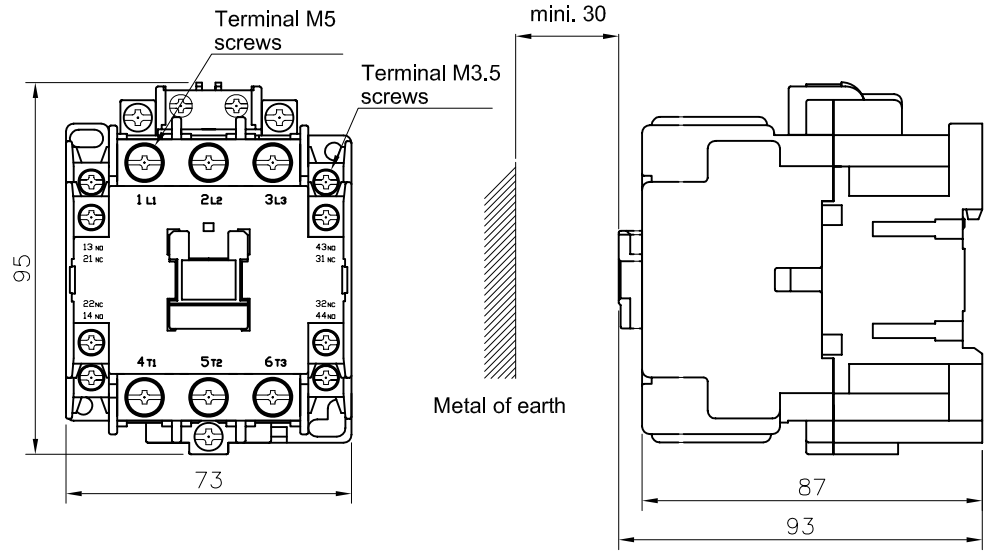
d

a

b

c

d



CHANGE A

THIRD ANGLE PROJECTION	Category	Contactor
UNIT: mm	Model	S-P30T,P35T,P40T

Shihlin Electric & Engineering Corp.

1

2

3

4

5

6