

1 2 3 4 5 6

a

b

c

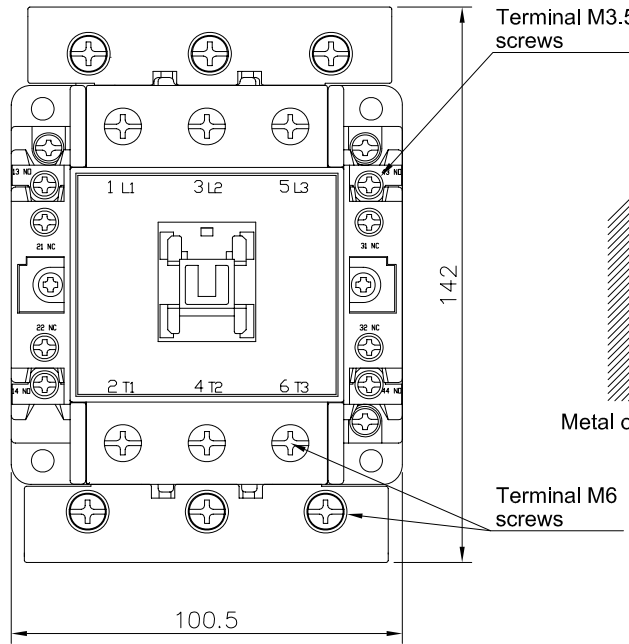
d

a

b

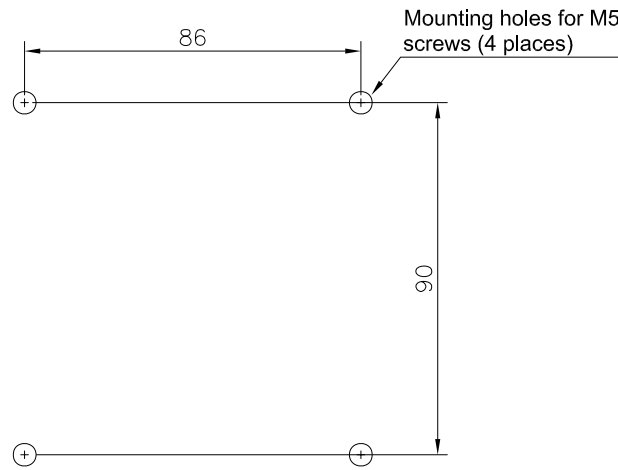
c

d



Terminal M3.5 screws

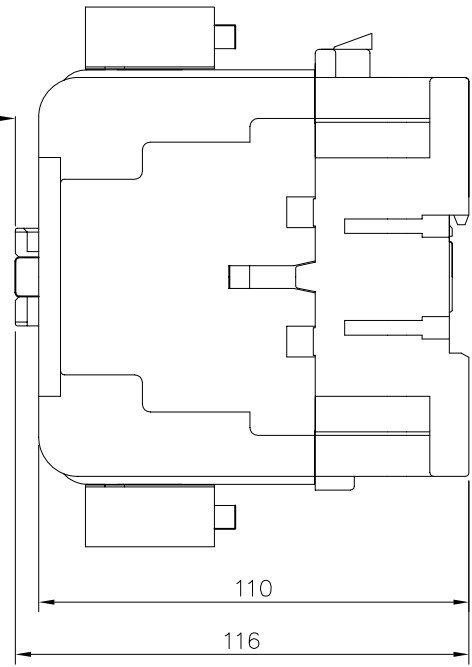
Terminal M6 screws



Mounting holes for M5 screws (4 places)

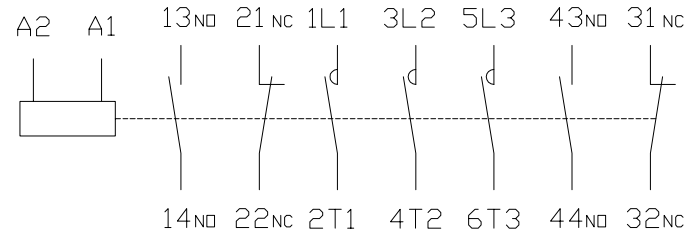
mini. 70

Metal of earth



110

116



CHANGE A

THIRD ANGLE PROJECTION		Category	Contactor
UNIT: mm		Model	S-P80T

Shihlin Electric & Engineering Corp.

1 2 3 4 5 6