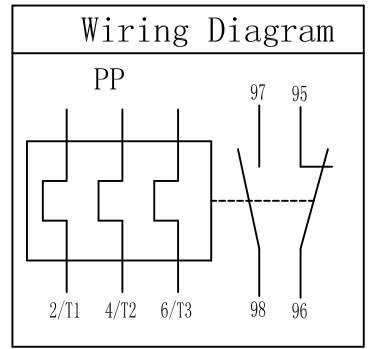
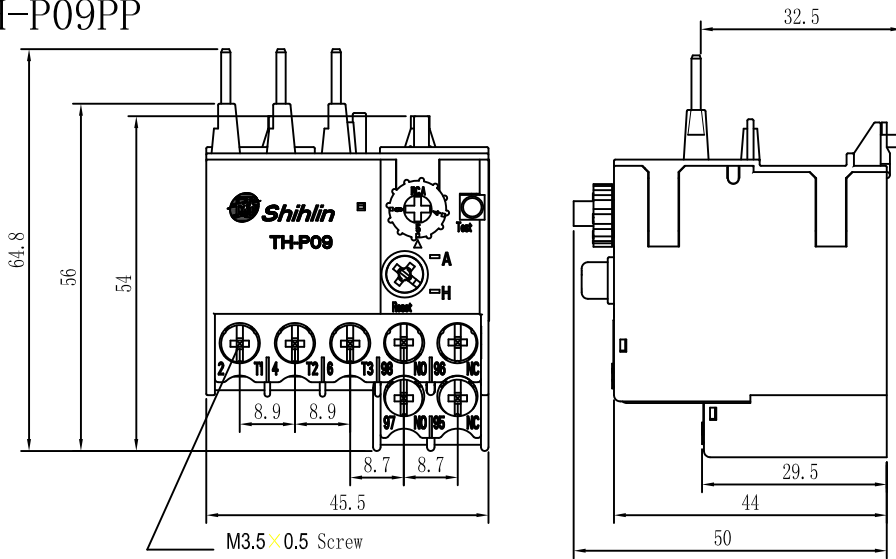
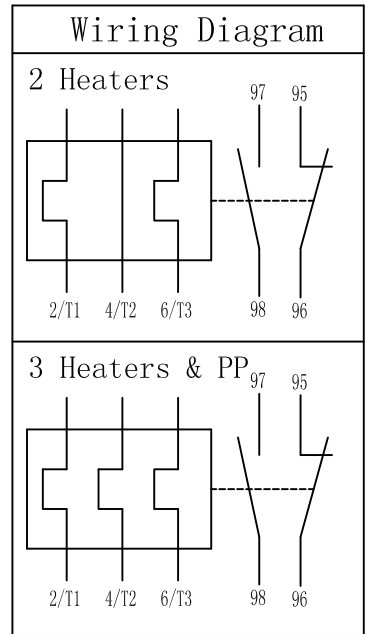
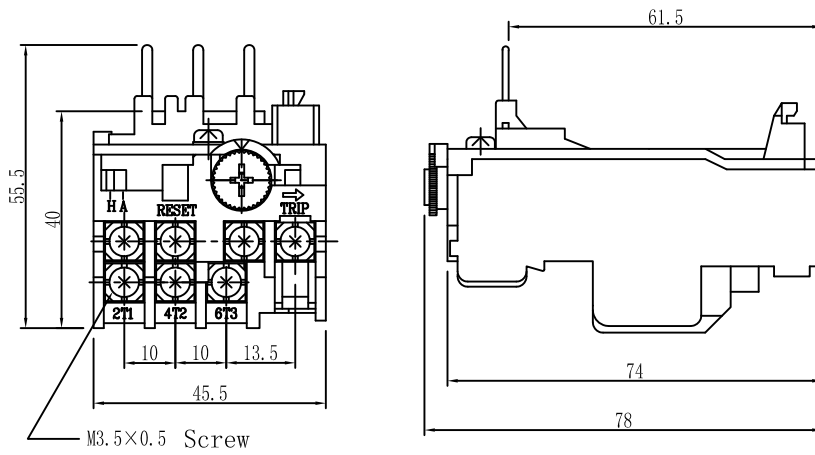


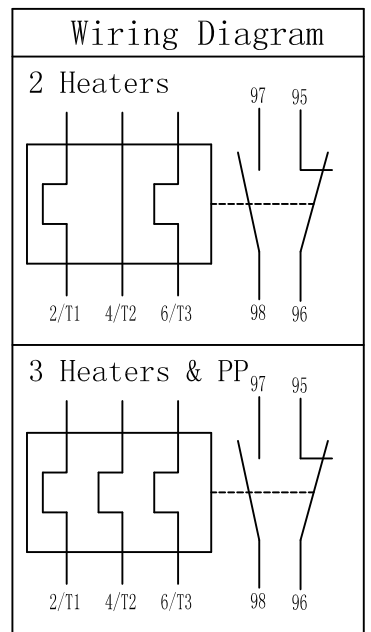
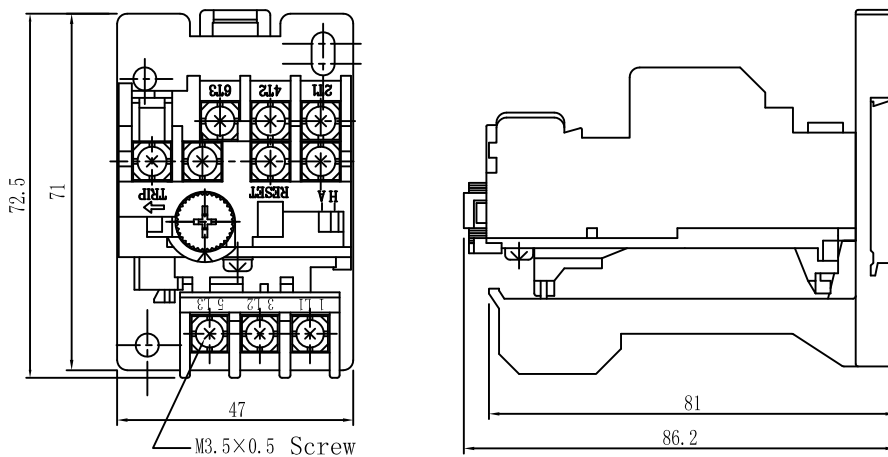
# TH-P09PP



# TH-P12



# TH-P12R



## Installation Dimension

