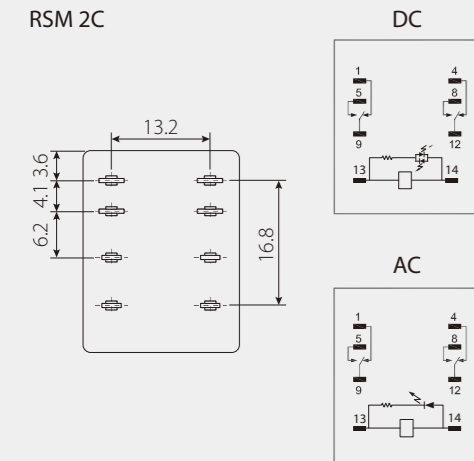


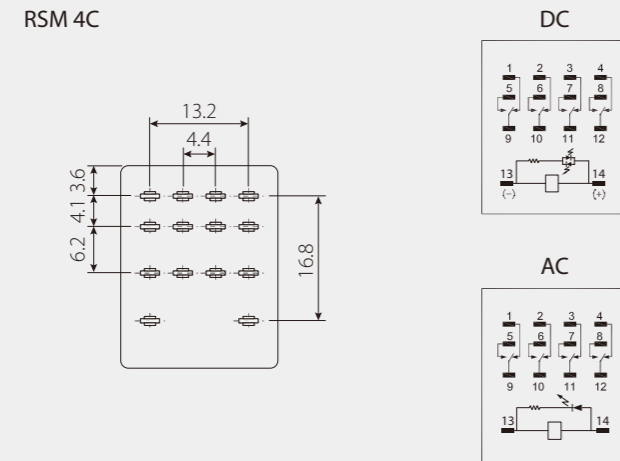
# Wiring Diagram

## ◎ RSM

RSM 2C

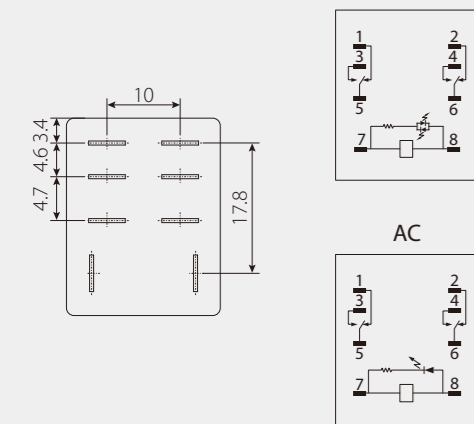


RSM 4C

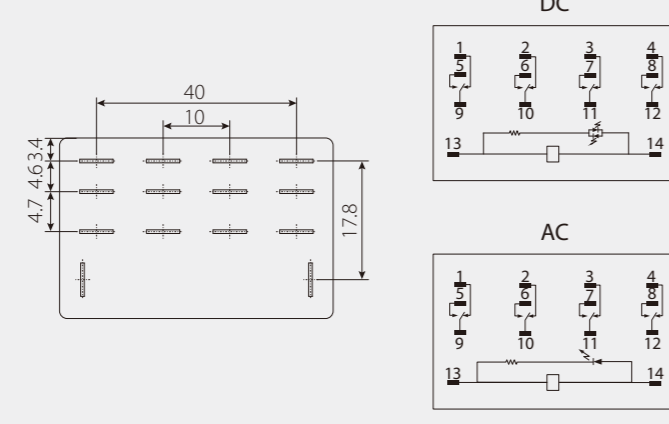


## ◎ RSL

RSL 2C

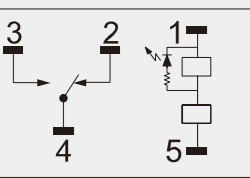


RSL 4C

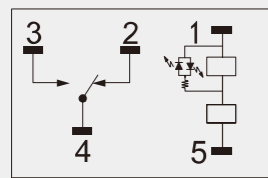


## ◎ RST

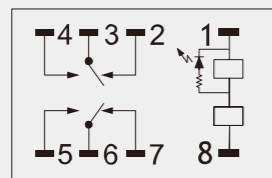
RST 1C AC



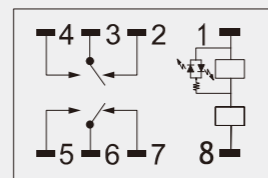
RST 1C DC



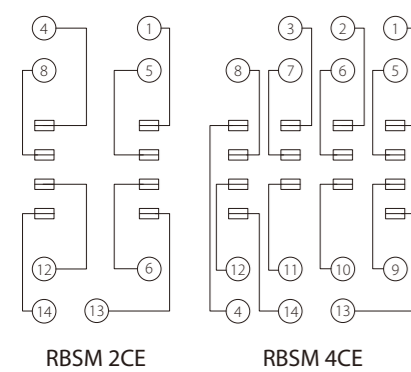
RST 2C AC



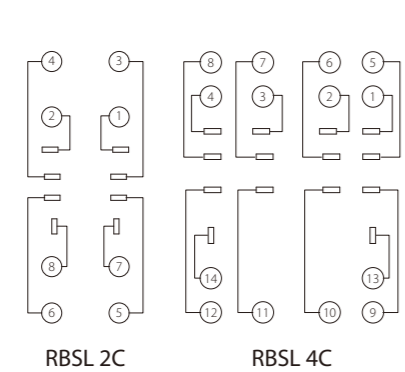
RST 2C DC



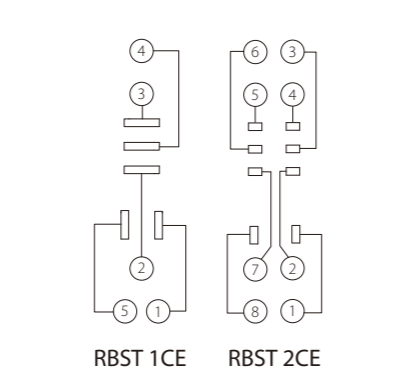
## ◎ RBSM | Internal Connection



## ◎ RBSL | Internal Connection

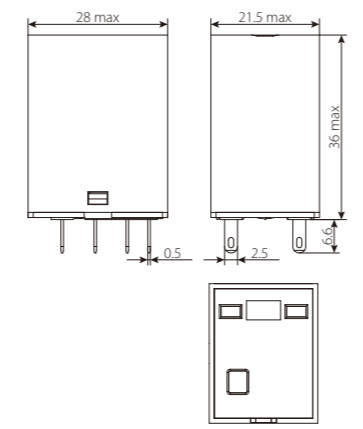


## ◎ RBST | Internal Connection

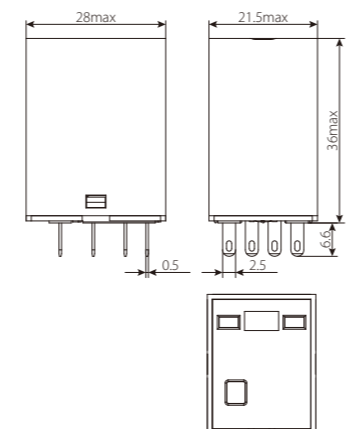


# Dimension

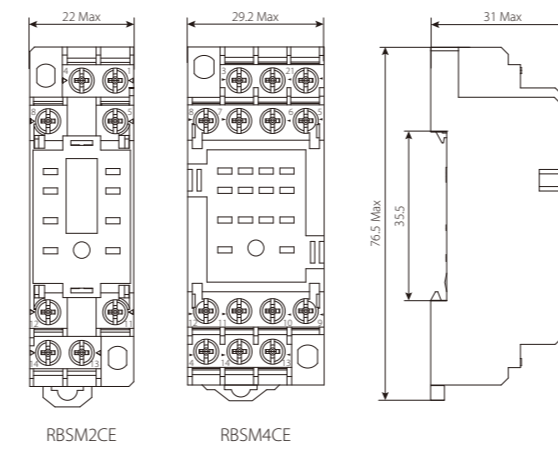
RSM2C



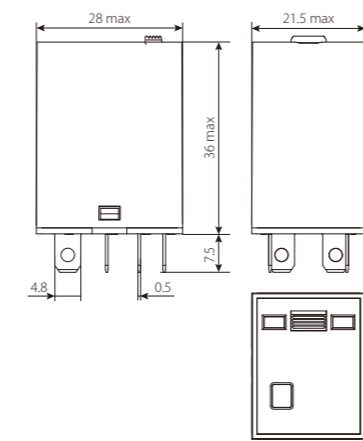
RSM4C



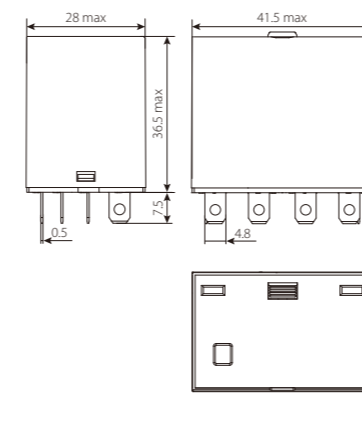
RBSM (mm)



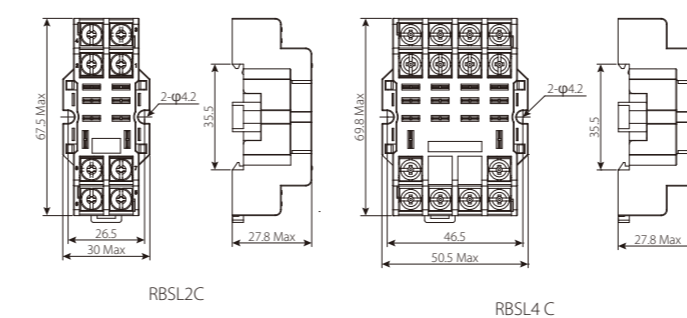
RSL2C



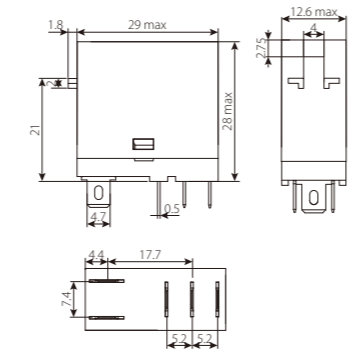
RSL4C



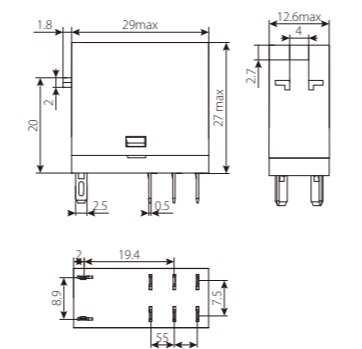
RBSL (mm)



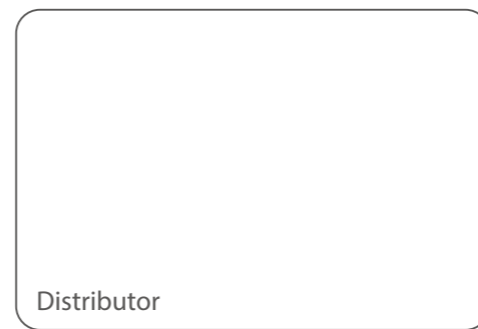
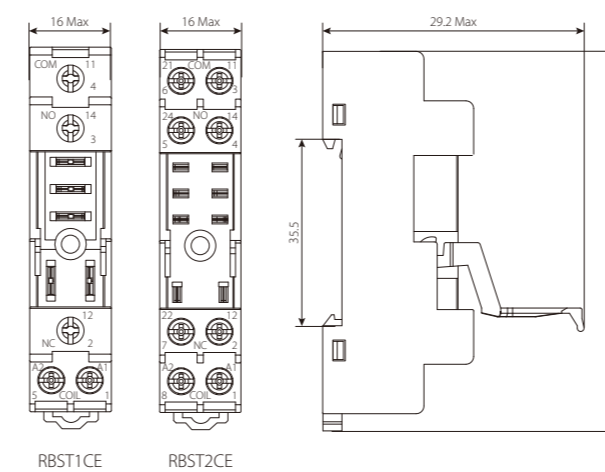
RST1C



RST2C



RBST (mm)



B191213E.RELAY.3F

### Breaker & switchgears overseas sales dept.

3F, No.9, Sec. 1, Chang-an E. Rd., Zhongshan Dist., Taipei City 10441, Taiwan  
 T. +886-2-2541-9822 F. +886-2-2581-2665  
 e-mail. b.export@seec.com.tw  
<http://circuit-breaker.seec.com.tw>

### Headquarters

16F, No.88, Sec. 6, Zhongshan N. Rd., Shilin Dist., Taipei City 11155, Taiwan  
 T. +886-2-2834-2662 F. +886-2-2836-6187  
<http://www.seec.com.tw>



# RELAY

## RSM/RSL/RST SERIES



Breaker & switchgears overseas Sales dept.  
<http://circuit-breaker.seec.com.tw>



Headquarters  
<http://www.seec.com.tw>

## Feature:

- Small size and easy installation
- High sensitivity
- Reasonable structure and wide application
- Optional test button for easy debugging
- A variety of specifications, standard equip with mechanical indicators and LED indicators
- Non-polar DC coil wiring, easy to conduct field installation

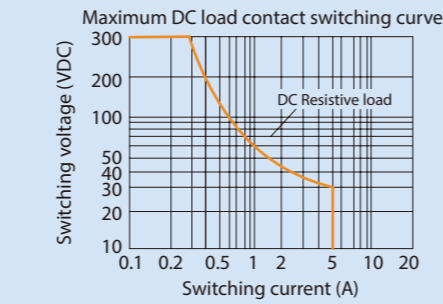
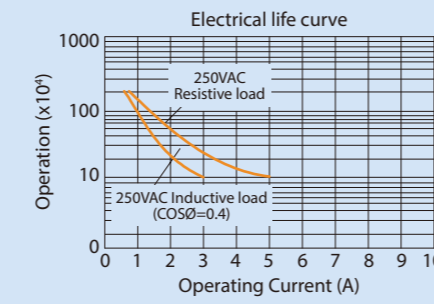
## Type Designation

Model	Contact	Control Voltage	Auxiliary
RSM	2C : 2C 4C : 4C	AC 024 : 24V 048 : 48V 110 : 110V 230 : 230V	L : Mechanical + LED
RSL		A : AC D : DC	LT : Mechanical + LED + Test Button
RST	1C : 1C 2C : 2C	DC 024 : 24V 110 : 110V	L : LED

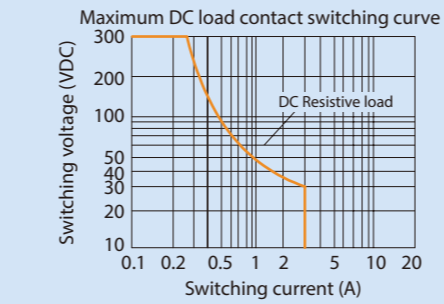
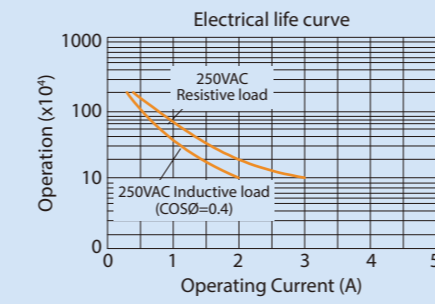
Ex: RSM 4C A 024 L : RSM Relay 4C AC24V with Mechanical + LED indicator

### RSM characteristic curve

RSM 2C

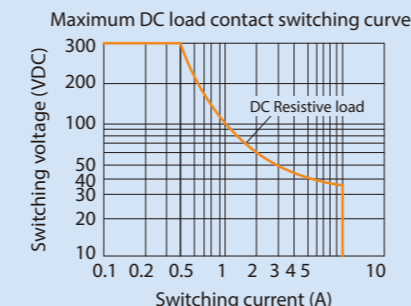
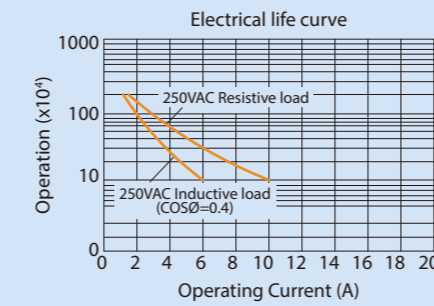


RSM 4C



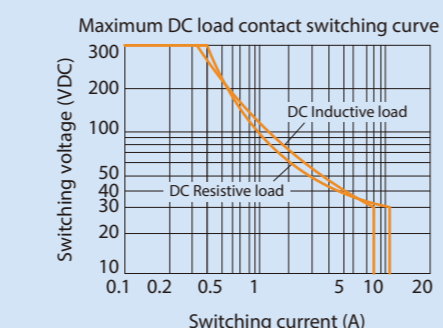
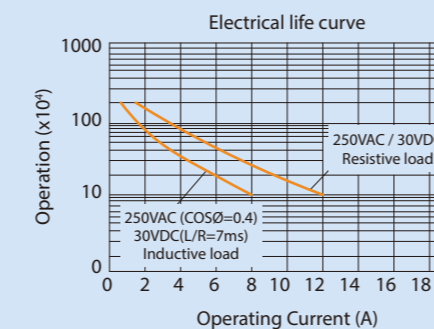
### RSL characteristic curve

RSL 2C/4C

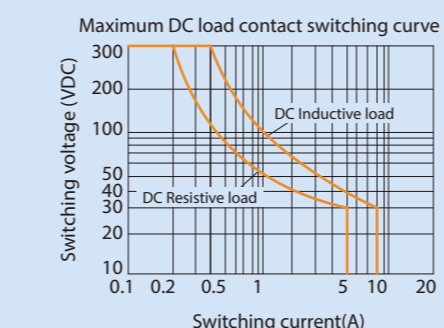
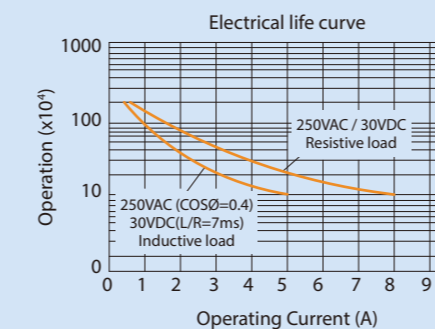


### RST characteristic curve

RST 1C



RST 2C



Model		RSM		RSL		RST		
Type		2C	4C	2C	4C	1C	2C	
Contact	Load	Resistive	5A/250VAC, 30VDC	3A/250VAC, 30VDC	10A/250VAC, 30VDC		12A/250VAC, 30VDC	8A/250VAC, 30VDC
		Motor	1/3HP, 240VAC	1/6HP, 240VAC	1/3HP, 240VAC	1/6HP, 240VAC	1/3HP, 240VAC	1/6HP, 240VAC
	Switching power (resistance)		1250VA, 150W	750VA, 90W	2500VA, 300W		300VA, 360W	2000VA, 240W
	Contact resistance (initial)		≤50 mΩ					
	Material		Ag alloy					
	Electrical life (1s on, 1s off)		≥100,000 times (1800 ops/h)					
	Mechanical life (300 times/min)		≥10,000,000 times (18000 ops/h)					
	pull-in voltage (23°C)		DC : ≤75% Ue, AC : ≤80% Ue					
	Release voltage (23°C)		DC : ≥10% Ue, AC : ≥30% Ue					
	Maximum voltage (23°C)		110% Ue					
Insulation resistance		≥1000MΩ (500VDC)		≥500MΩ (500VDC)		≥1000MΩ (500VDC)		
Coil powerconsumption	DC (W)	≤2	≤2	≤2	≤2.5	≤1.5		
	AC (VA)	≤2	≤2	≤2	≤2.5	≤1.5		
Pull-in time (rated voltage)		≤20ms						
Release time (rated voltage)		≤20ms				≤10ms		
Withstand voltage (Contact to)	Contact in same pole	1000VAC/1min (Leakage current 1mA)				1000VAC/1min (Leakage current 1mA)		
	Contact in different pole	2000VAC/1min (Leakage current 1mA)				3000VAC/1min (Leakage current 1mA)		
	Coil	2000VAC/1min (Leakage current 1mA)				5000VAC/1min (Leakage current 1mA)		
Ambient temperature		-55~+70°C		-25~+55°C		-40~+55°C		
Ambient humidity		35%~85%RH				5%~85%RH		
Atmospheric pressure		86~106KPa						
Impact resistance		10G (Sinusoidal half-wave pulse : 11ms)						
Vibration resistant		10~55Hz (Double amplitude : 1.0mm)						
Installation		Plug-in						
Weight		About 35g		About 40g	About 70g	About 18g		
Coil control voltage		AC : 24/48/110/230V, DC : 24/110V						
Indicator		Mechanical/LED				LED		
Base	Model		RBSM 2CE	RBSM 4CE	RBSL 2C	RBSL 4C	RBST 1CE	RBST 1CE
	Load	Rated current	10	7	10	10	16	10
		Rated voltage	300					
	Dielectric withstand voltage (v/s)	Coil to contact	2000				4000	
		Contact to contact	2000				2500	
	Screw torque (N-m)		1.0					
	Connecting wire (AWG/mm2)		20-14/0.5-2.5					
	Ambient temperature (°C)		-40~+65		-40~+85		-45~+85	
	Weight (g)		37	57	43	76	22	27
	Terminal cover		Yes	Yes	N/A	N/A	Yes	Yes